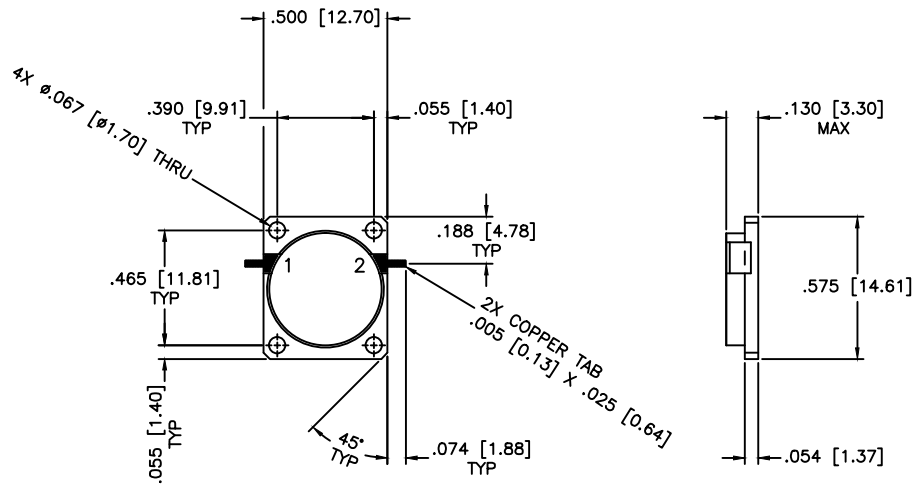


REVISIONS				
ZONE	REV	DESCRIPTION	DATE	APPROVED



**SPECIFICATIONS**

- Frequency Range: 6.4–7.8 GHz
- Insertion Loss: 0.5dB Max.
- Isolation: 20dB Min.
- VSWR: 1.22:1 Max.
- Impedance Nominal: 50 Ohms
- Power Rating: 1 Watt
- Operating Temperature: -45°C to +85°C
- Storage Temperature: -55°C to +100°C

MATERIAL:			MICROWAVE COMMUNICATIONS LABORATORIES INC. 7255 30TH AVE. N. SAINT PETERSBURG, FL 33710 TEL: (727) 344-6254 FAX: (727) 381-6116 http://WWW.MCLI.COM		SCALE:	N/A
			UNLESS OTHERWISE SPECIFIED: TOLERANCES IN (INCHES) OR [mm] (MILLIMETERS) FRACTIONS: ± 1/64 DECIMALS: ±.01 ±.005 ANGLE: ±1/2°		DRAWING TITLE:	DROP-IN ISOLATOR
DRAWN:		DATE:		PART NO.		DI-13
Paiboon Luekhamhan		01-05-2005		CAGE CODE:		
APPROVED:		DATE:		SIZE:	REV:	DWG NO.
T. Nguyen		01-05-2005		N/A	N/A	82140
		PROPRIETARY NOTICE: THE INFORMATION IN THIS DRAWING IS PROPRIETARY AND SHALL NOT BE USED OR DISCLOSED WITHOUT WRITTEN PERMISSION FROM MICROWAVE COMMUNICATIONS LABORATORIES INC. (MCLI)		DO NOT SCALE THE DRAWING		
		THIRD ANGLE PROJECTION 		OD2L5		