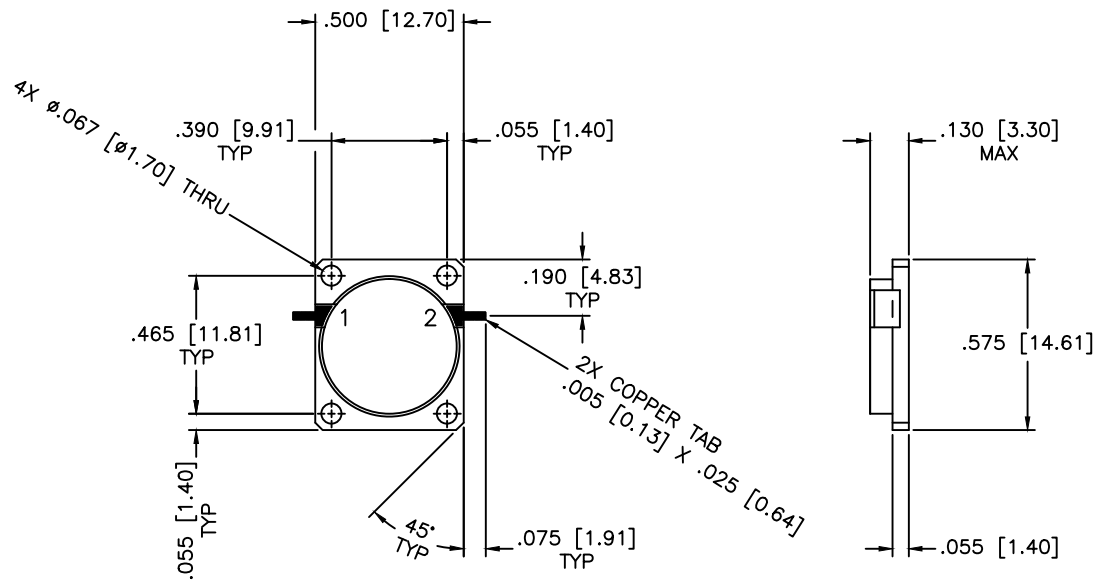


REVISIONS				
ZONE	REV	DESCRIPTION	DATE	APPROVED



SPECIFICATIONS

- Frequency Range: 5–6 GHz
- Insertion Loss: 0.5dB Max.
- Isolation: 20dB Min.
- VSWR: 1.25:1 Max.
- Impedance Nominal: 50 Ohms
- Power Rating: 2 Watts
- Operating Temperature: -40°C to +85°C
- Storage Temperature: -55°C to +100°C

MATERIAL:		<b>MCLI</b>	MICROWAVE COMMUNICATIONS LABORATORIES INC. 7255 30TH AVE. N. SAINT PETERSBURG, FL 33710 TEL: (727) 344-6254 FAX: (727) 381-6116 http://WWW.MCLI.COM		SCALE: N/A
UNLESS OTHERWISE SPECIFIED: TOLERANCES IN (INCHES) OR [mm] (MILLIMETERS) FRACTIONS: ± 1/64 DECIMALS: ±.01 ±.005 ANGLE: ±1/2°			DRAWING TITLE:  DROP-IN ISOLATOR		
		DRAWN: Paiboon Luekhamhan		DATE: 01-05-2005	
APPROVED: T. Nguyen		DATE: 01-05-2005		CAGE CODE: OD2L5	SIZE: N/A
THIRD ANGLE PROJECTION 		PROPERTY NOTICE: THE INFORMATION IN THIS DRAWING IS PROPRIETARY AND SHALL NOT BE USED OR DISCLOSED WITHOUT WRITTEN PERMISSION FROM MICROWAVE COMMUNICATIONS LABORATORIES INC. (MCLI)			REV: N/A
				DO NOT SCALE THE DRAWING	