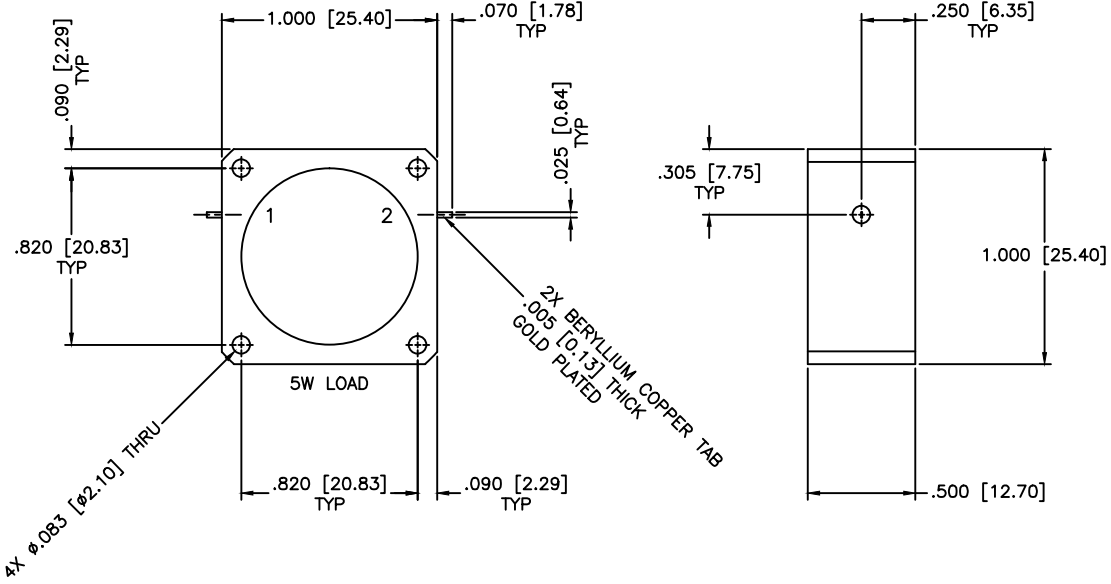


REVISIONS				
ZONE	REV	DESCRIPTION	Date	APPROVED

NOTE: Peak Power 240W.  
TWO-TONE TEST PO= 43dBm(Single Carrier Level) >-50dBm



**SPECIFICATIONS**

Frequency Range: 4.4–5.0 GHz  
Insertion Loss: 0.5dB Max.  
Isolation: 20dB Min.  
VSWR: 1.25:1 Max.  
Impedance Nominal: 50 Ohms  
Power Rating: 5 Watts  
Operating Temperature: -30°C to +85°C

MATERIAL:		<b>MCLI</b> MICROWAVE COMMUNICATIONS LABORATORIES INC. 7255 30TH AVE. N. SAINT PETERSBURG, FL 33710 TEL: (727) 344-6254 FAX: (727) 381-6116 http://www.mcli.com	SCALE:	N/A
			SHEET:	N/A
DRAWING TITLE:		DROP-IN ISOLATOR		
PART NO.:		DI-10		
DRAWN: Paiboon Luekhamhan DATE: 12-26-2007	DATE: 12-26-2007	<small>UNLESS OTHERWISE SPECIFIED:  TOLERANCES  IN (INCHES) OR [mm] (MILLIMETERS)  FRACTIONS: ± 1/64  DECIMALS: ±.01 ±.005  ANGLE: ±1/2°</small>	CAGE CODE:	OD2L5
APPROVED: T. Nguyen	DATE: 12-26-2007	<small>PROPRIETARY NOTICES:  THE INFORMATION IN THIS DRAWING IS PROPRIETARY  AND SHALL NOT BE USED OR DISCLOSED WITHOUT WRITTEN  PERMISSION FROM MICROWAVE COMMUNICATIONS  LABORATORIES INC. (MCLI)</small>	SIZE: N/A REV: B DO NOT SCALE THE DRAWING	DWG NO. 83024