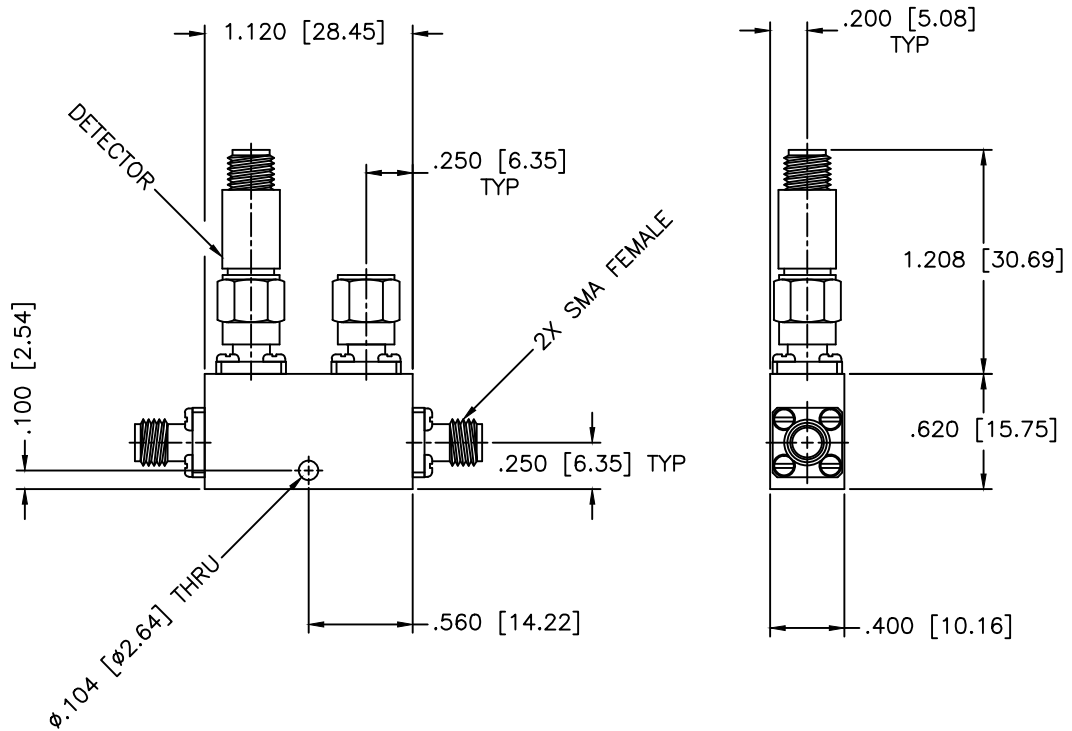


REVISIONS				
ZONE	REV	DESCRIPTION	DATE	APPROVED



**SPECIFICATIONS**

- Frequency Range: 18–26.5 GHz
- Directivity: 13dB Min.
- Sensitivity: 300 mV/mW Min.
- Insertion Loss: 1.6dB Max.
- Flatness: ±1.0dB
- VSWR: 2.00:1 Max.

MATERIAL:		MICROWAVE COMMUNICATIONS LABORATORIES INC. 7255 30TH AVE. N. SAINT PETERSBURG, FL 33710 TEL: (727) 344-6254 FAX: (727) 381-6116 http://WWW.MCLI.COM	SCALE:	N/A
			SHEET:	N/A
UNLESS OTHERWISE SPECIFIED: TOLERANCES IN (INCHES) OR [mm] (MILLIMETERS) FRACTIONS: ± 1/64 DECIMALS: ±.01 ±.005 ANGLE: ±1/2°		DRAWING TITLE:	DIRECTIONAL DETECTOR, POSITIVE	
DRAWN: Paiboon Luekhamhan		DATE: 06-02-2023	PART NO. DD-9-P	
APPROVED: T. Nguyen		DATE: 06-02-2023	CAGE CODE: OD2L5	SIZE: A
PROPRIETARY NOTICE: THE INFORMATION IN THIS DRAWING IS PROPRIETARY AND SHALL NOT BE USED OR DISCLOSED WITHOUT WRITTEN PERMISSION FROM MICROWAVE COMMUNICATIONS LABORATORIES INC. (MCLI)		THIRD ANGLE PROJECTION 	REV: A	DWG NO. 84007
DO NOT SCALE THE DRAWING				