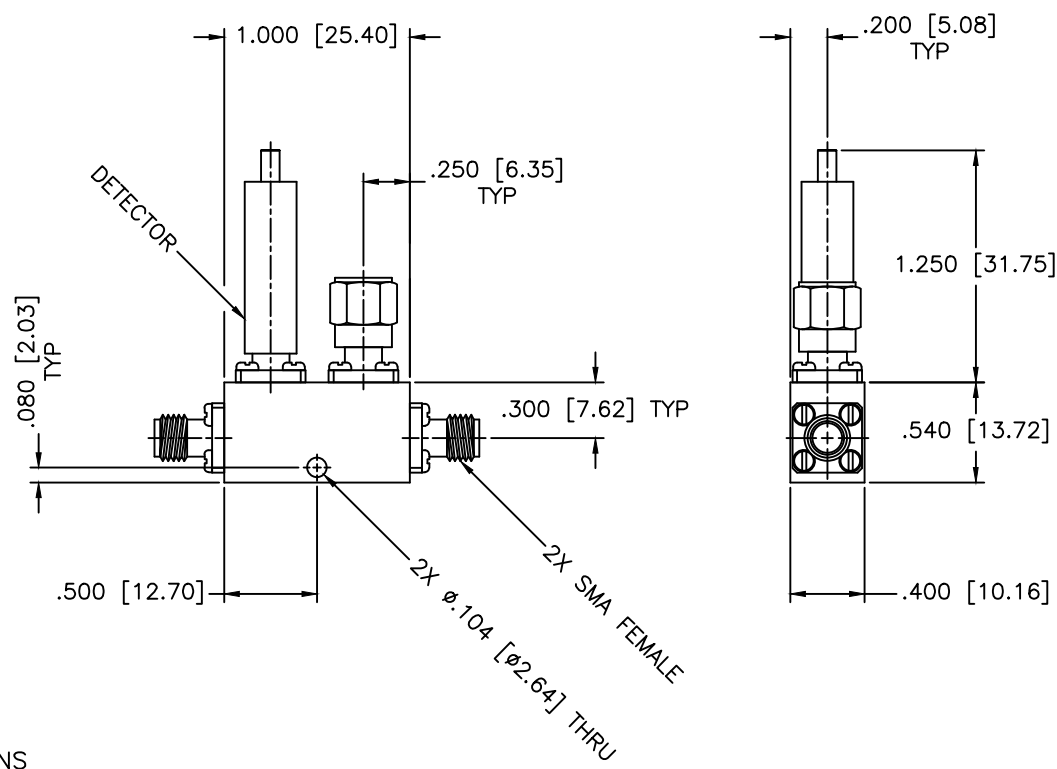


REVISIONS				
ZONE	REV	DESCRIPTION	DATE	APPROVED



SPECIFICATIONS

- Frequency Range: 4–8 GHz
- Directivity: 20dB Min.
- Sensitivity: 600 mV/mW Min.
- Insertion Loss: 1.0dB Max.
- Flatness: ±0.3dB
- VSWR: 1.25:1 Max.

MATERIAL:		MCLI MICROWAVE COMMUNICATIONS LABORATORIES INC. 7255 30TH AVE. N. SAINT PETERSBURG, FL 33710 TEL: (727) 344-6254 FAX: (727) 381-6116 http://WWW.MCLI.COM	SCALE: N/A
			SHEET: N/A
UNLESS OTHERWISE SPECIFIED: TOLERANCES IN (INCHES) OR [mm] (MILLIMETERS) FRACTIONS: ± 1/64 DECIMALS: ±.01 ±.005 ANGLE: ±1/2°		DRAWING TITLE: DIRECTIONAL DETECTOR, POSTIVE	
DRAWN: Paiboon Luekhamhan		PART NO. DD-5-P	
DATE: 10-12-2011		CAGE CODE: OD2L5	
APPROVED: T. Nguyen		SIZE: A	REV: A
DATE: 10-12-2011		DWG NO. 80602	
<small>PROPRIETARY NOTICE: THE INFORMATION IN THIS DRAWING IS PROPRIETARY AND SHALL NOT BE USED OR DISCLOSED WITHOUT WRITTEN PERMISSION FROM MICROWAVE COMMUNICATIONS LABORATORIES INC. (MCLI)</small>		DO NOT SCALE THE DRAWING	

