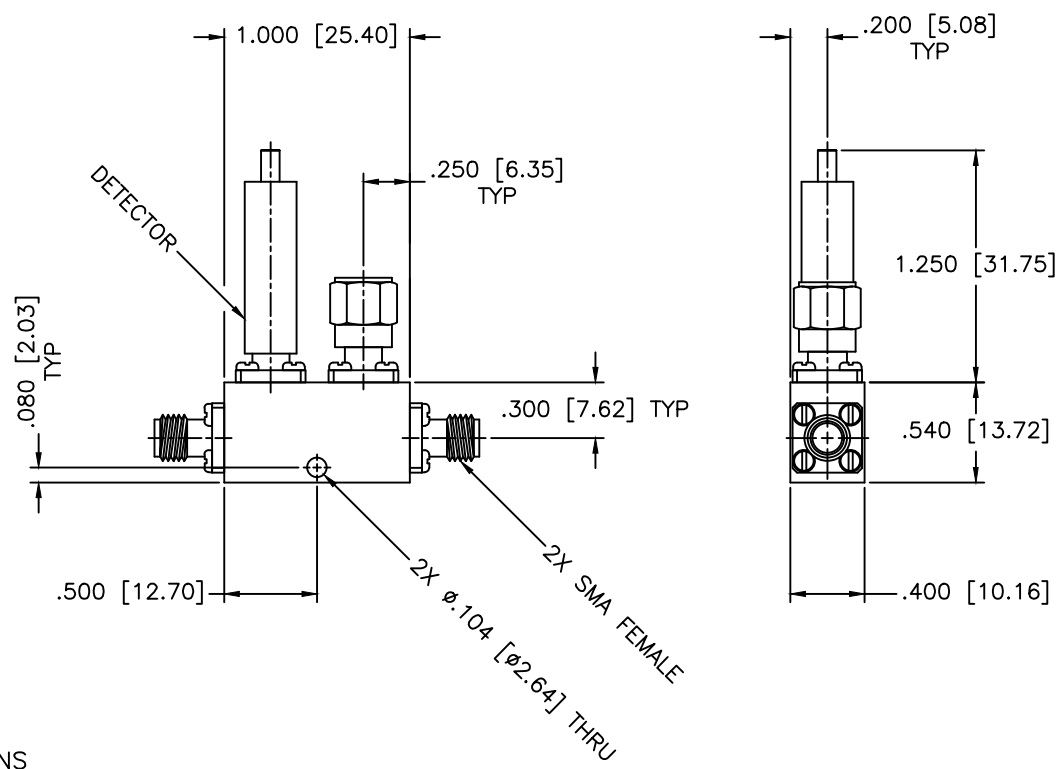


REVISIONS				
ZONE	REV	DESCRIPTION	DATE	APPROVED



SPECIFICATIONS

- Frequency Range: 4–8 GHz
- Directivity: 20dB Min.
- Sensitivity: 600 mV/mW Min.
- Insertion Loss: 1.0dB Max.
- Flatness: ±0.3dB
- VSWR: 1.25:1 Max.

MATERIAL:		MICROWAVE COMMUNICATIONS LABORATORIES INC. 7255 30TH AVE. N. SAINT PETERSBURG, FL 33710 TEL: (727) 344-6254 FAX: (727) 381-6116 http://WWW.MCLI.COM	SCALE:	N/A
			SHEET:	N/A
UNLESS OTHERWISE SPECIFIED: TOLERANCES IN (INCHES) OR [mm] (MILLIMETERS) FRACTIONS: ± 1/64 DECIMALS: ±.01 ±.005 ANGLE: ±1/2°		DRAWING TITLE: DIRECTIONAL DETECTOR, NEGATIVE		
DRAWN: Paiboon Luekhamhan		PART NO. DD-5-N		
DATE: 10-12-2011	DATE: 10-12-2011	CAGE CODE: OD2L5	SIZE: A	REV: A
APPROVED: T. Nguyen		DO NOT SCALE THE DRAWING		DWG NO. 80602

PROPRIETARY NOTICE:
 THE INFORMATION IN THIS DRAWING IS PROPRIETARY
 AND SHALL NOT BE USED OR DISCLOSED WITHOUT WRITTEN
 PERMISSION FROM MICROWAVE COMMUNICATIONS
 LABORATORIES INC. (MCLI)

THIRD ANGLE PROJECTION