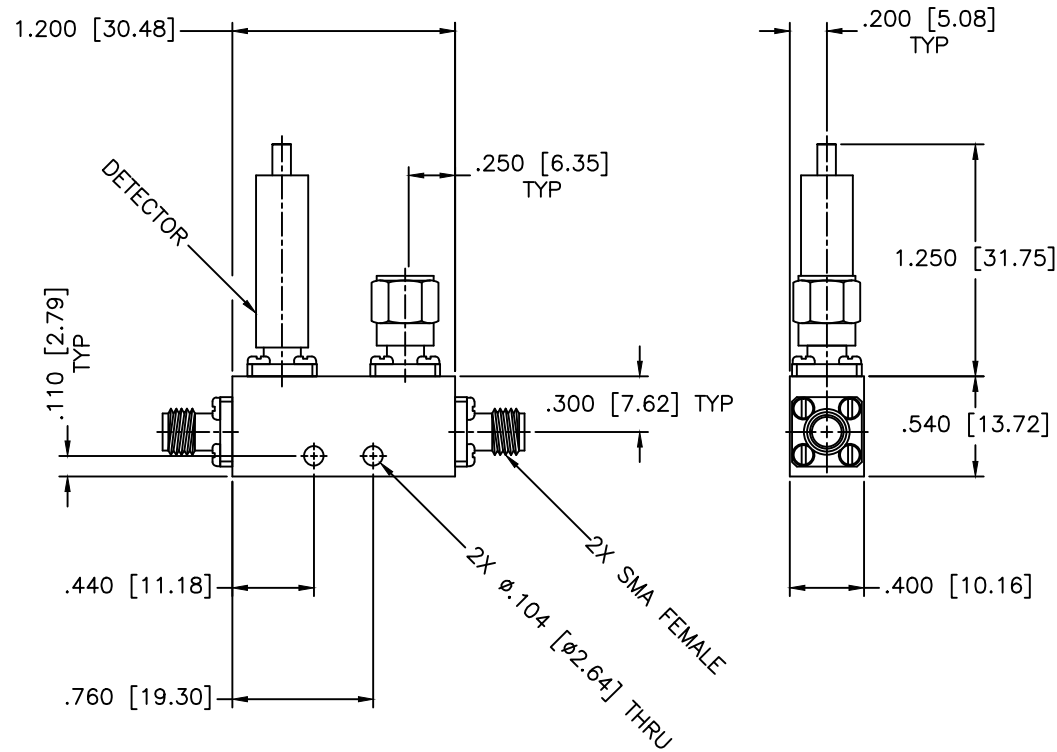


REVISIONS				
ZONE	REV	DESCRIPTION	DATE	APPROVED



**SPECIFICATIONS**

- Frequency Range: 2–4 GHz
- Directivity: 25dB Min.
- Sensitivity: 700 mV/mW Min.
- Insertion Loss: 0.9dB Max.
- Flatness: ±0.2dB
- VSWR: 1.15:1 Max.

MATERIAL:			MICROWAVE COMMUNICATIONS LABORATORIES INC. 7255 30TH AVE. N. SAINT PETERSBURG, FL 33710 TEL: (727) 344-6254 FAX: (727) 381-6116 http://WWW.MCLI.COM		SCALE: N/A
UNLESS OTHERWISE SPECIFIED: TOLERANCES IN (INCHES) OR [mm] (MILLIMETERS) FRACTIONS: ± 1/64 DECIMALS: ±.01 ±.005 ANGLE: ±1/2°			DRAWING TITLE: <b>DIRECTIONAL DETECTOR, POSTIVE</b>		SHEET: N/A
DRAWN: Paiboon Luekhamhan		DATE: 11-23-1997		PART NO. <b>DD-3-P</b>	
APPROVED: T. Nguyen		DATE: 11-23-1997		CAGE CODE: OD2L5	SIZE: A    REV: N/A    DWG NO. 80600 DO NOT SCALE THE DRAWING

PROPRIETARY NOTICE:  
 THE INFORMATION IN THIS DRAWING IS PROPRIETARY  
 AND SHALL NOT BE USED OR DISCLOSED WITHOUT WRITTEN  
 PERMISSION FROM MICROWAVE COMMUNICATIONS  
 LABORATORIES INC. (MCLI)  
 THIRD ANGLE PROJECTION