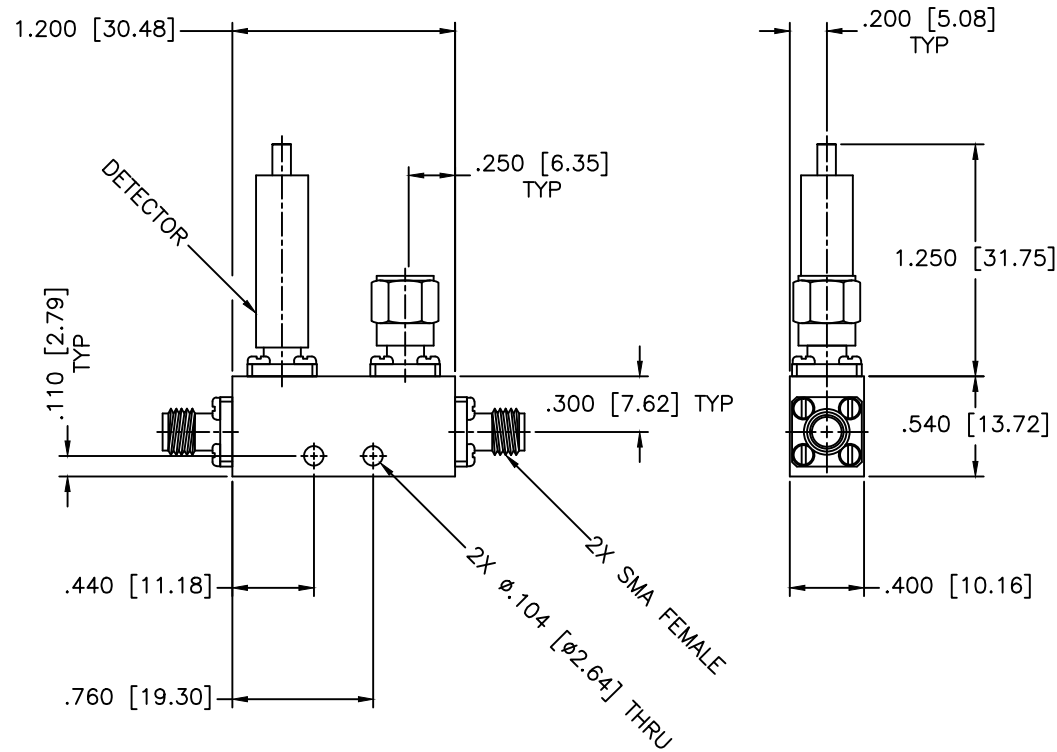


REVISIONS				
ZONE	REV	DESCRIPTION	DATE	APPROVED



SPECIFICATIONS

- Frequency Range: 2–4 GHz
- Directivity: 25dB Min.
- Sensitivity: 700 mV/mW Min.
- Insertion Loss: 0.9dB Max.
- Flatness: ±0.2dB
- VSWR: 1.15:1 Max.

MATERIAL:			MICROWAVE COMMUNICATIONS LABORATORIES INC. 7255 30TH AVE. N. SAINT PETERSBURG, FL 33710 TEL: (727) 344-6254 FAX: (727) 381-6116 http://WWW.MCLI.COM		SCALE:	N/A
			UNLESS OTHERWISE SPECIFIED: TOLERANCES IN (INCHES) OR [mm] (MILLIMETERS) FRACTIONS: ± 1/64 DECIMALS: ±.01 ±.005 ANGLE: ±1/2°		SHEET:	N/A
DRAWN:		PROPRIETARY NOTICE: THE INFORMATION IN THIS DRAWING IS PROPRIETARY AND SHALL NOT BE USED OR DISCLOSED WITHOUT WRITTEN PERMISSION FROM MICROWAVE COMMUNICATIONS LABORATORIES INC. (MCLI)		DRAWING TITLE:		
DATE:		THIRD ANGLE PROJECTION		DIRECTIONAL DETECTOR, NEGATIVE		
APPROVED:				PART NO.		
DATE:		CAGE CODE:		DD-3-N		
T. Nguyen		OD2L5		SIZE:	A	REV:
11-23-1997		DO NOT SCALE THE DRAWING		N/A		DWG NO.
						80600