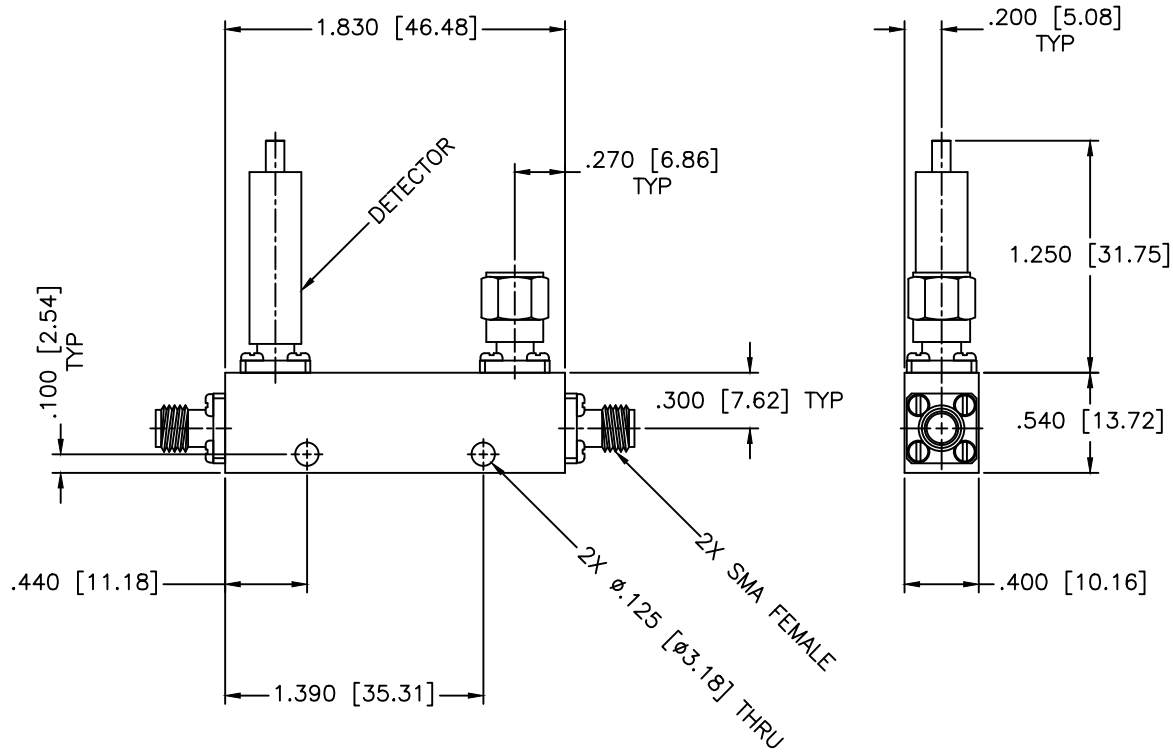


REVISIONS				
ZONE	REV	DESCRIPTION	DATE	APPROVED



SPECIFICATIONS

- Frequency Range: 1–2 GHz
- Directivity: 25dB Min.
- Sensitivity: 700 mV/mW Min.
- Insertion Loss: 0.8dB Max.
- Flatness: ±0.2dB
- VSWR: 1.15:1 Max.

MATERIAL:		MICROWAVE COMMUNICATIONS LABORATORIES INC. 7255 30TH AVE. N. SAINT PETERSBURG, FL 33710 TEL: (727) 344-6254 FAX: (727) 381-6116 http://WWW.MCLI.COM	SCALE:	N/A
			SHEET:	N/A
		UNLESS OTHERWISE SPECIFIED: TOLERANCES IN (INCHES) OR [mm] (MILLIMETERS) FRACTIONS: ± 1/64 DECIMALS: ±.01 ±.005 ANGLE: ±1/2°	DRAWING TITLE: DIRECTIONAL DETECTOR, POSTIVE	
DRAWN: Paiboon Luekhamhan		DATE: 11-23-1997	PART NO. DD-2-P	
APPROVED: T. Nguyen		DATE: 11-23-1997	CAGE CODE: OD2L5	SIZE: A REV: N/A DWG NO.: 80599
		PROPRIETARY NOTICE: THE INFORMATION IN THIS DRAWING IS PROPRIETARY AND SHALL NOT BE USED OR DISCLOSED WITHOUT WRITTEN PERMISSION FROM MICROWAVE COMMUNICATIONS LABORATORIES INC. (MCLI)	DO NOT SCALE THE DRAWING	
		THIRD ANGLE PROJECTION		