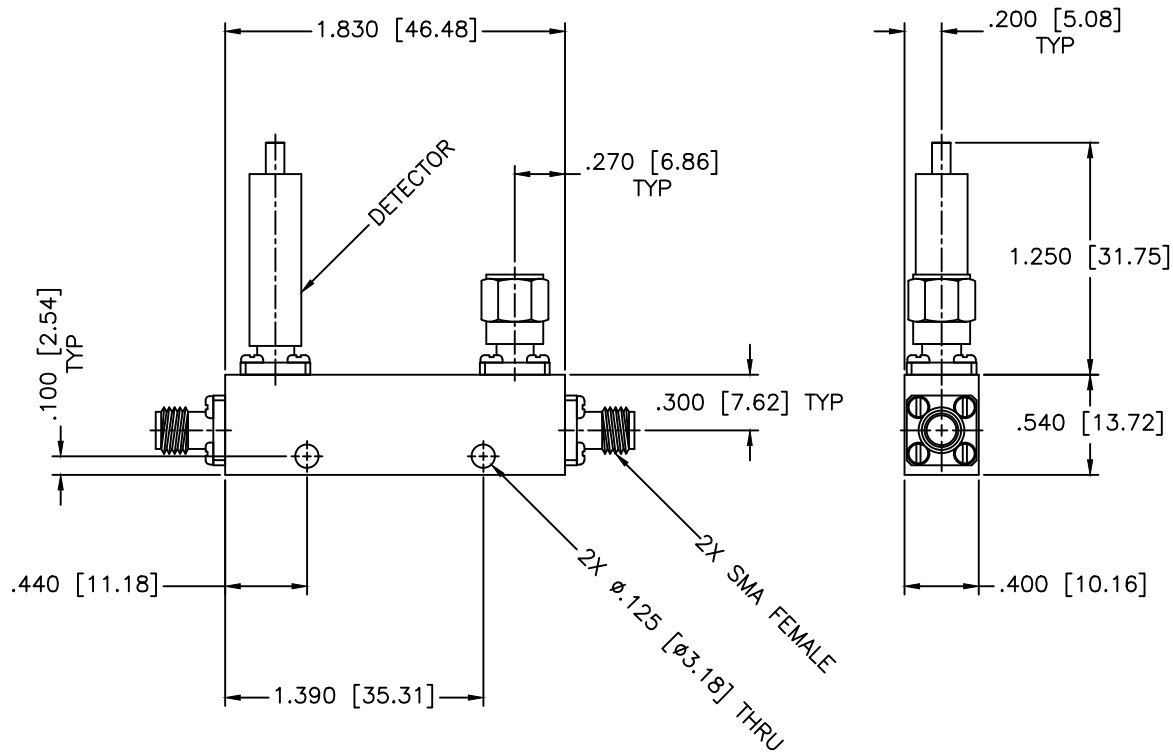


REVISIONS				
ZONE	REV	DESCRIPTION	DATE	APPROVED



**SPECIFICATIONS**

- Frequency Range: 1–2 GHz
- Directivity: 25dB Min.
- Sensitivity: 700 mV/mW Min.
- Insertion Loss: 0.8dB Max.
- Flatness: ±0.2dB
- VSWR: 1.15:1 Max.

MATERIAL:			MICROWAVE COMMUNICATIONS LABORATORIES INC. 7255 30TH AVE. N. SAINT PETERSBURG, FL 33710 TEL: (727) 344-6254 FAX: (727) 381-6116 http://WWW.MCLI.COM		SCALE:	N/A
UNLESS OTHERWISE SPECIFIED: TOLERANCES IN (INCHES) OR [mm] (MILLIMETERS) FRACTIONS: ± 1/64 DECIMALS: ±.01 ±.005 ANGLE: ±1/2°			DRAWING TITLE:		SHEET:	
DRAWN:		PART NO.		DIRECTIONAL DETECTOR, NEGATIVE		
DATE:		CAGE CODE:		DD-2-N		
APPROVED:		SIZE:		REV:		DWG NO.
T. Nguyen		A		N/A		80599
DATE:		DO NOT SCALE THE DRAWING		THIRD ANGLE PROJECTION		
11-23-1997		OD2L5				