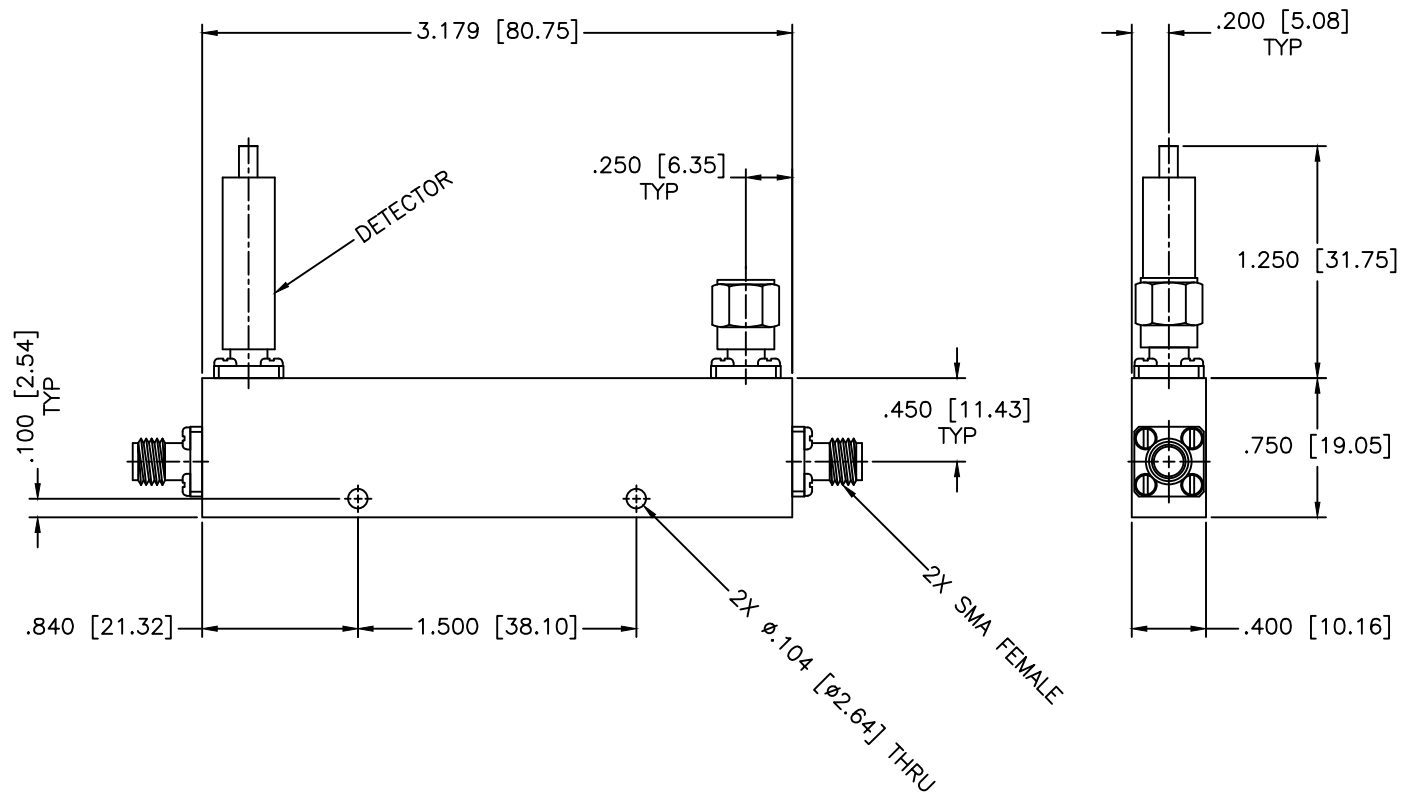


REVISIONS				
ZONE	REV	DESCRIPTION	DATE	APPROVED



SPECIFICATIONS

- Frequency Range: 0.5–1.0 GHz
- Directivity: 25dB Min.
- Sensitivity: 700 mV/mW Min.
- Insertion Loss: 0.8dB Max.
- Flatness: ±0.2dB
- VSWR: 1.15:1 Max.

MATERIAL:			MICROWAVE COMMUNICATIONS LABORATORIES INC. 7255 30TH AVE. N. SAINT PETERSBURG, FL 33710 TEL: (727) 344-6254 FAX: (727) 381-6116 http://WWW.MCLI.COM		SCALE:	N/A	
UNLESS OTHERWISE SPECIFIED: TOLERANCES IN (INCHES) OR [mm] (MILLIMETERS) FRACTIONS: ± 1/64 DECIMALS: ±.01 ±.005 ANGLE: ±1/2°			DRAWING TITLE:		SHEET:		N/A
DRAWN:		DATE:		PART NO.			DD-1-P
Paiboon Luekhamhan		08-24-200		CAGE CODE:			
APPROVED:		DATE:		SIZE:		REV:	DWG NO.
T. Nguyen		08-24-200		A		N/A	80598
PROPRIETARY NOTICE: THE INFORMATION IN THIS DRAWING IS PROPRIETARY AND SHALL NOT BE USED OR DISCLOSED WITHOUT WRITTEN PERMISSION FROM MICROWAVE COMMUNICATIONS LABORATORIES INC. (MCLI)		THIRD ANGLE PROJECTION 		DO NOT SCALE THE DRAWING			