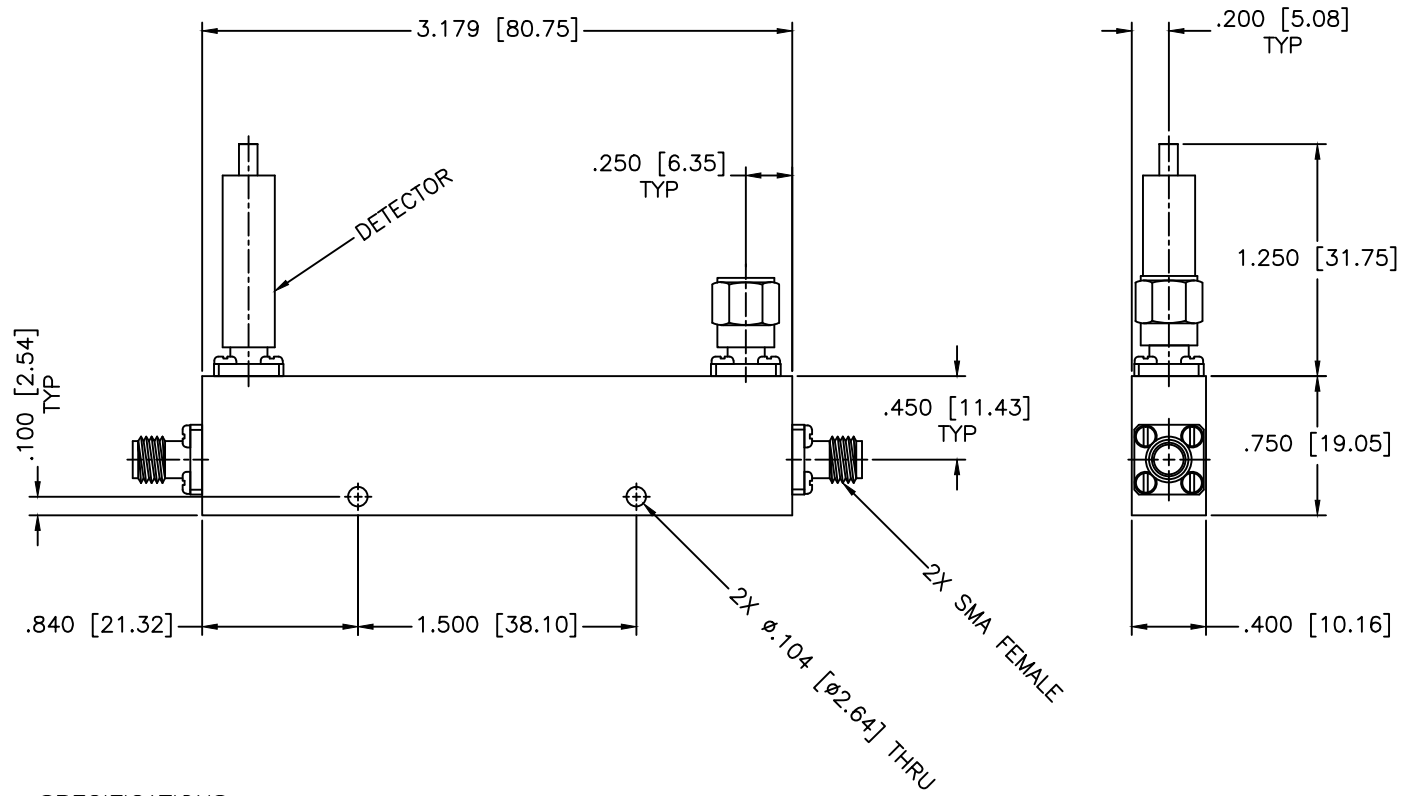


REVISIONS				
ZONE	REV	DESCRIPTION	DATE	APPROVED



SPECIFICATIONS

- Frequency Range: 0.5–1.0 GHz
- Directivity: 25dB Min.
- Sensitivity: 700 mV/mW Min.
- Insertion Loss: 0.8dB Max.
- Flatness: ±0.2dB
- VSWR: 1.15:1 Max.

MATERIAL:			MICROWAVE COMMUNICATIONS LABORATORIES INC. 7255 30TH AVE. N. SAINT PETERSBURG, FL 33710 TEL: (727) 344-6254 FAX: (727) 381-6116 http://WWW.MCLI.COM		SCALE:	N/A
			UNLESS OTHERWISE SPECIFIED: TOLERANCES IN (INCHES) OR [mm] (MILLIMETERS) FRACTIONS: ± 1/64 DECIMALS: ±.01 ±.005 ANGLE: ±1/2°		SHEET:	N/A
DRAWING TITLE:		DIRECTIONAL DETECTOR, NEGATIVE				
PART NO.		DD-1-N				
DRAWN:	DATE:	PROPRIETARY NOTICE: THE INFORMATION IN THIS DRAWING IS PROPRIETARY AND SHALL NOT BE USED OR DISCLOSED WITHOUT WRITTEN PERMISSION FROM MICROWAVE COMMUNICATIONS LABORATORIES INC. (MCLI)	CAGE CODE:	SIZE:	REV:	DWG NO.
APPROVED:	DATE:		OD2L5	A	N/A	80598
		THIRD ANGLE PROJECTION	DO NOT SCALE THE DRAWING			