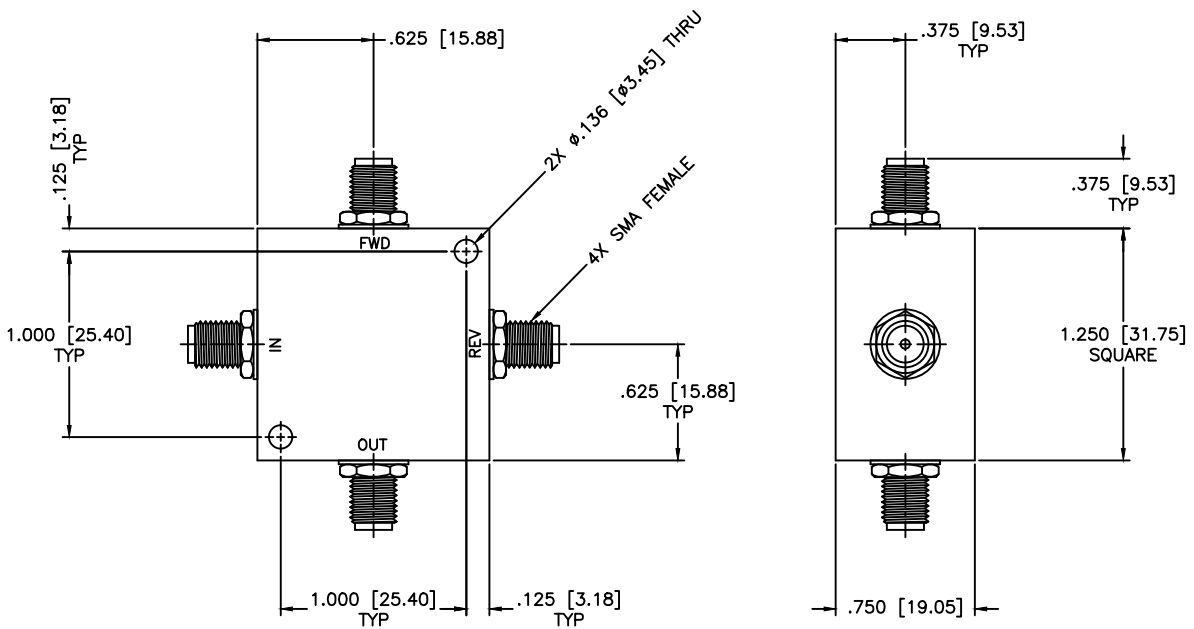


REVISIONS				
ZONE	REV	DESCRIPTION	DATE	APPROVED



SPECIFICATIONS

Frequency Range: 5–1000 MHz
 VSWR: 1.30:1 Max.
 Coupling: 20dB±1dB
 Coupling Flatness: ±1dB
 Input Power: 1 Watt
 Impedance: 50 Ohms
 Operating Temperature: –55°C to +100°C

Bandwidth	Mainline Loss:		Directivity:	
MHz	Typ	Min	Typ	Min
5–100	0.1dB	0.2dB	30dB	23dB
100–500	0.3dB	1.0dB	25dB	18dB
500–1000	1.0dB	1.5dB	20dB	15dB

MATERIAL:			MICROWAVE COMMUNICATIONS LABORATORIES INC. 7255 30TH AVE. N. SAINT PETERSBURG, FL 33710 TEL: (727) 344-6254 FAX: (727) 381-6116 http://WWW.MCLI.COM		SCALE:	N/A
					SHEET:	N/A
		UNLESS OTHERWISE SPECIFIED: TOLERANCES IN (INCHES) OR [mm] (MILLIMETERS) FRACTIONS: ± 1/64 DECIMALS: ±.03 ±.015 ANGLE: ±1/2°	DRAWING TITLE:			
			DUAL-DIRECTIONAL COUPLER			
			PART NO.			
			DCL5-20			
DRAWN:	DATE:	PROPRIETARY NOTICE: THE INFORMATION IN THIS DRAWING IS PROPRIETARY AND SHALL NOT BE USED OR DISCLOSED WITHOUT WRITTEN PERMISSION FROM MICROWAVE COMMUNICATIONS LABORATORIES INC. (MCLI)	CAGE CODE:	SIZE:	REV:	DWG NO.
Paiboon Luekhamhan	11-04-2013		OD2L5	A	A	82963
APPROVED:	DATE:		DO NOT SCALE THE DRAWING			
T. Nguyen	11-04-2013					