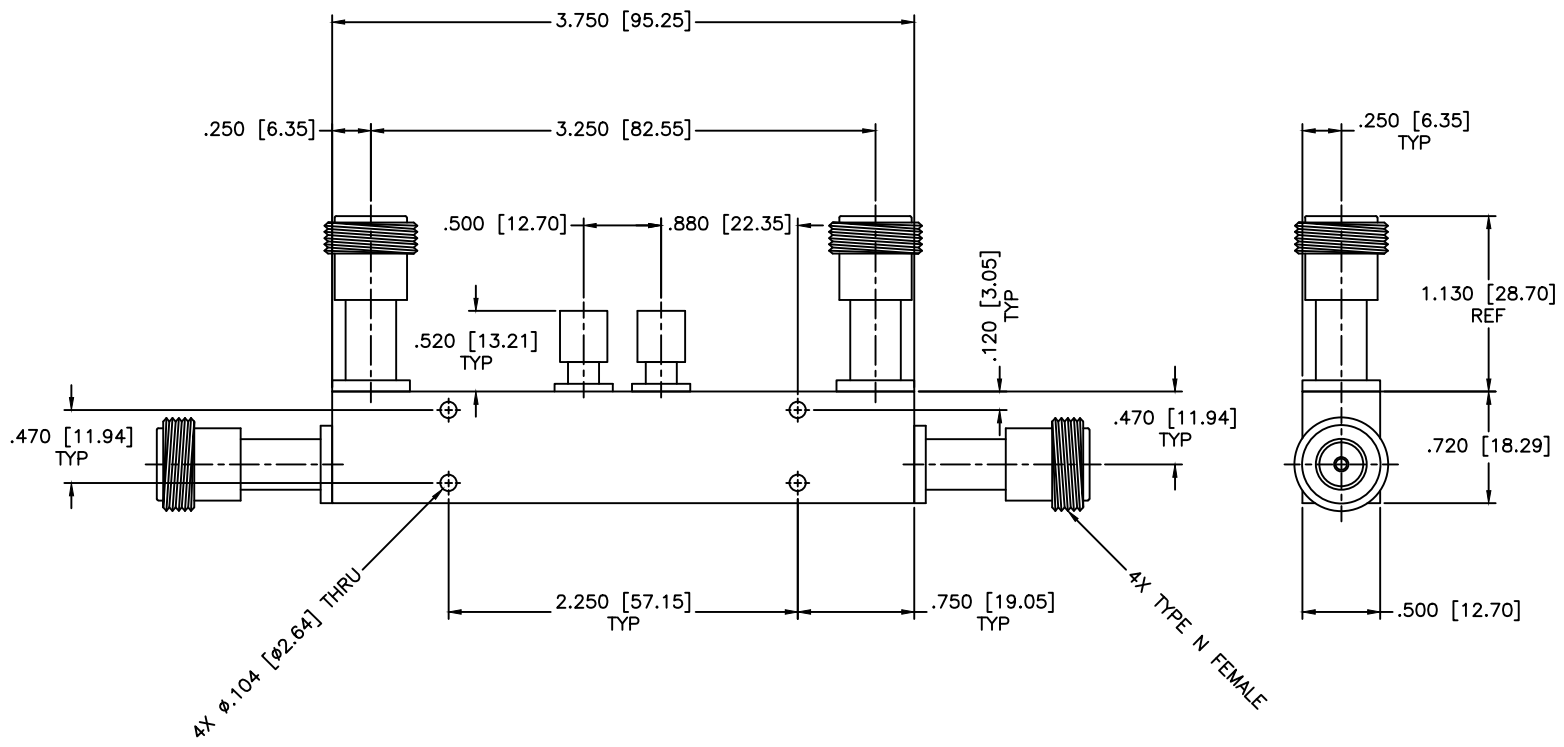


REVISIONS				
ZONE	REV	DESCRIPTION	DATE	APPROVED



**SPECIFICATIONS**

Frequency Range: 2–18 GHz  
 Coupling: 20±1.0dB  
 VSWR: 1.35:1 Max.  
 Directivity: 15dB Min.  
 Frequency Sensitivity: ±0.5dB  
 Insertion Loss: 1.4dB Max.  
 Power: 20W Avg. 3kW Peak  
 Operating Temperature: -54° to +85°C

MATERIAL:	
DRAWN: Paiboon Luekhamhan	DATE: 05-13-2008
APPROVED: T. Nguyen	DATE: 05-13-2008

	MICROWAVE COMMUNICATIONS LABORATORIES INC. 7255 30TH AVE. N. SAINT PETERSBURG, FL 33710 TEL: (727) 344-6254 FAX: (727) 381-6116 http://WWW.MCLI.COM		SCALE: N/A
	UNLESS OTHERWISE SPECIFIED: TOLERANCES IN (INCHES) OR [mm] (MILLIMETERS) FRACTIONS: ± 1/64 DECIMALS: ±.01 ±.005 ANGLE: ±1/2°		SHEET: N/A
DRAWING TITLE: <b>DUAL DIRECTIONAL COUPLER</b>		PART NO. <b>DC8-20/NF</b>	
PROPRIETARY NOTICE: THE INFORMATION IN THIS DRAWING IS PROPRIETARY AND SHALL NOT BE USED OR DISCLOSED WITHOUT WRITTEN PERMISSION FROM MICROWAVE COMMUNICATIONS LABORATORIES INC. (MCLI)		CAGE CODE: <b>OD2L5</b>	SIZE: A REV: N/A DWG NO. <b>83851</b>
THIRD ANGLE PROJECTION 		DO NOT SCALE THE DRAWING	