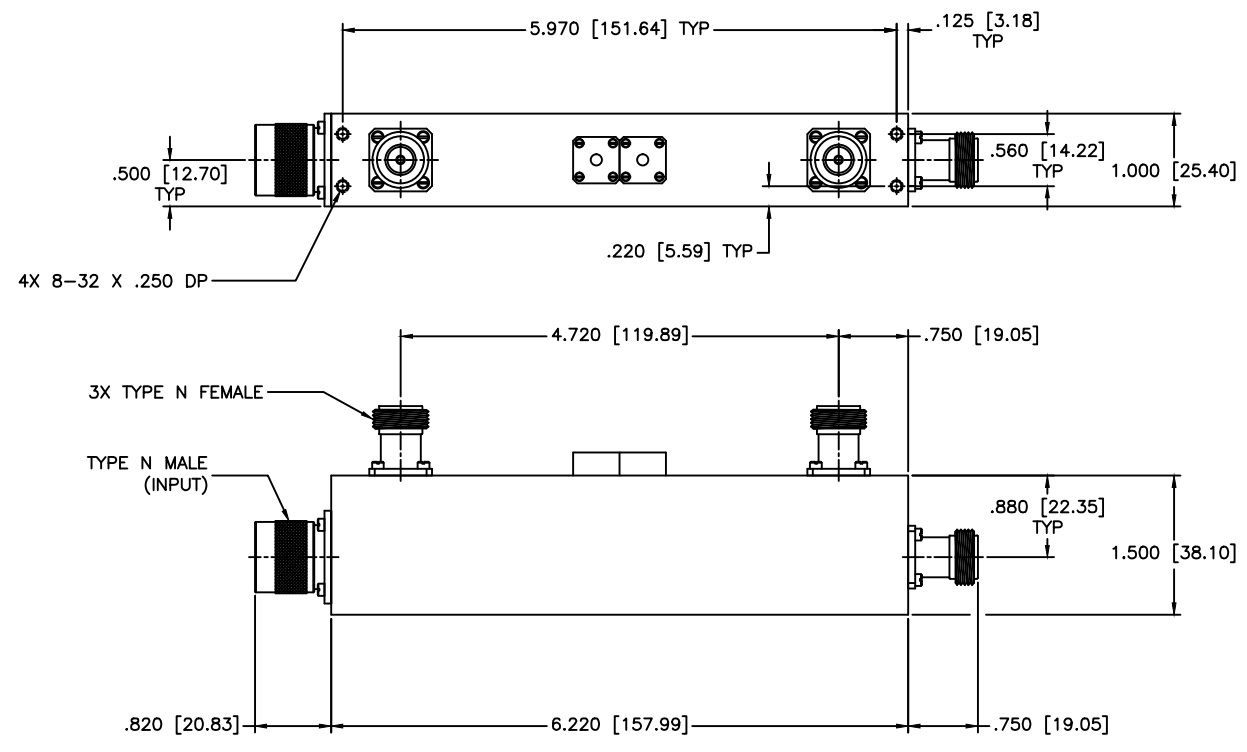


4 | 3 | 2 | 1

REVISIONS				
ZONE	REV	DESCRIPTION	DATE	APPROVED



SPECIFICATIONS

FREQUENCY RANGE: 1-1.12 MHz
 COUPLING: 20±1dB
 INSERTION LOSS: 0.35dB Max.
 DIRECTIVITY: 28dB Min.
 VSWR PRIMARY: 1.15:1 Max.
 VSWR SECONDARY: 1.20:1 Max.
 PEAK POWER: 4kW Min. (6% Min. Duty Cycle)
 OPERATING TEMPERATURE: 0°C to +50°C

MATERIAL:		MCLI MICROWAVE COMMUNICATIONS LABORATORIES INC. 7255 30TH AVE. N. SAINT PETERSBURG, FL 33710 TEL: (727) 344-6254 FAX: (727) 381-6116 http://WWW.MCLI.COM	SCALE:	N/A			
			SHEET:	N/A			
		UNLESS OTHERWISE SPECIFIED: TOLERANCES IN (INCHES) OR (mm) (MILLIMETERS) FRACTIONS: ± 1/64 DECIMALS: ± .015 ANGLE: ± 1/2°	DRAWING TITLE: DUAL DIRECTIONAL COUPLER				
		PROPERTY NOTICE: THE INFORMATION IN THIS DRAWING IS PROPRIETARY AND SHALL NOT BE USED OR DISCLOSED WITHOUT WRITTEN PERMISSION FROM MICROWAVE COMMUNICATIONS LABORATORIES INC. (MCLI)	PART NO.: DC17-20/NMI				
DRAWN: Pai boon Luethamhan	DATE: 02-03-2011	THIRD ANGLE PROJECTION	CAGE CODE:	OD2L5			
APPROVED: T. Nguyen	DATE: 02-03-2011		SIZE:	C	REV:	N/A	DWG NO.:
			DO NOT SCALE THE DRAWING				

4 | 3 | 2 | 1