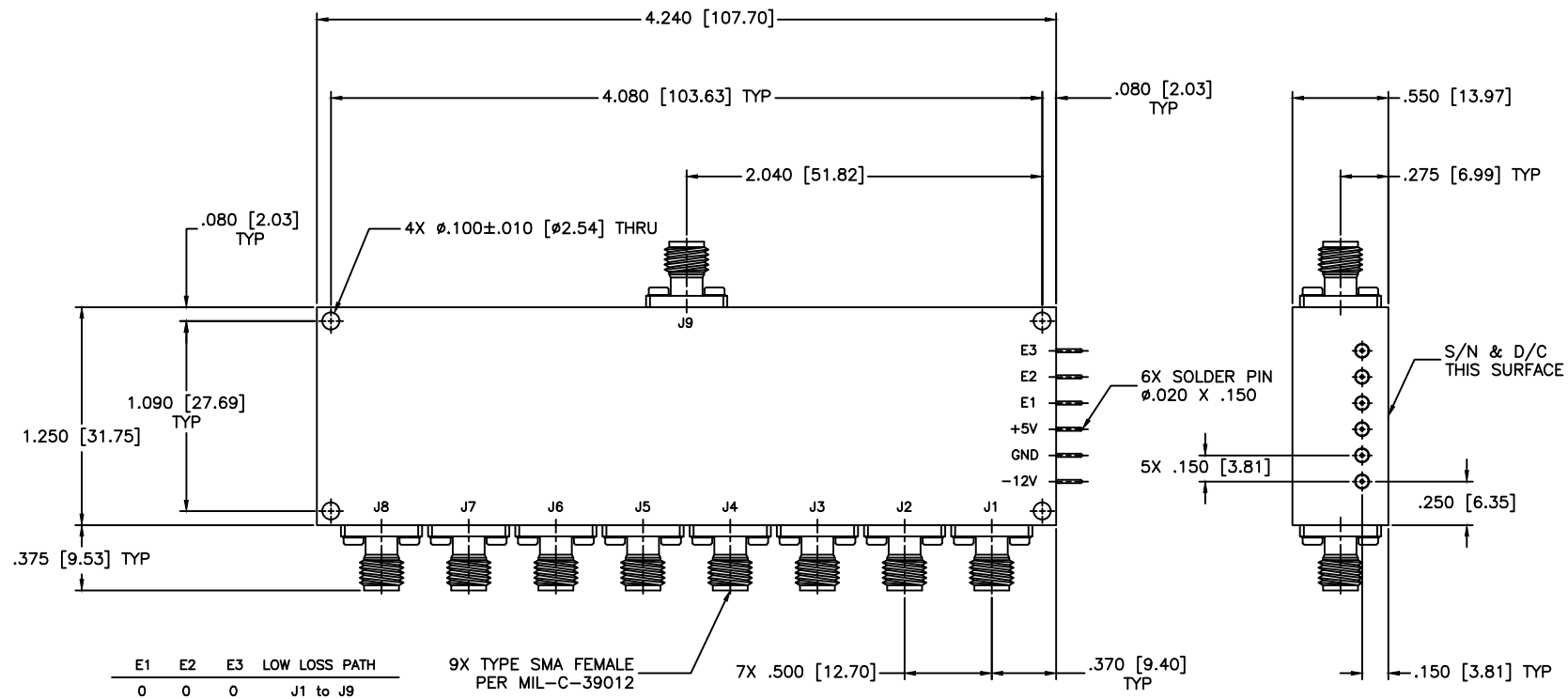


REVISIONS				
ZONE	REV	DESCRIPTION	DATE	APPROVED



E1	E2	E3	LOW LOSS PATH
0	0	0	J1 to J9
1	0	0	J2 to J9
0	1	0	J3 to J9
1	1	0	J4 to J9
0	0	1	J5 to J9
1	0	1	J6 to J9
0	1	1	J7 to J9
1	1	1	J8 to J9

SPECIFICATIONS
 FREQUENCY RANGE: 0.5–18 GHz
 INSERTION LOSS: 4.2dB Max.
 ISOLATION: 60dB Min.
 VSWR: 2.20:1 Max.
 INPUT POWER: 200 mW (23 dBm)
 SWITCHING TIME: 100 nSEC

MATERIAL:	
DRAWN:	DATE:
Paiboon Luekhamhan	04-09-2008
APPROVED:	DATE:
T. Nguyen	04-09-2008

	MICROWAVE COMMUNICATIONS LABORATORIES INC. 7255 30TH AVE. N. SAINT PETERSBURG, FL 33710 TEL: (727) 344-6254 FAX: (727) 381-6116 http://WWW.MCLI.COM		SCALE:	N/A
	UNLESS OTHERWISE SPECIFIED: TOLERANCES IN (INCHES) OR [mm] (MILLIMETERS) FRACTIONS: ± 1/64 DECIMALS: ±.01 ±.005 ANGLE: ±1/2°		SHEET:	N/A
DRAWING TITLE: SP8T SWITCH, ABSORPTIVE		PART NO.		
PROPRIETARY NOTICE: THE INFORMATION IN THIS DRAWING IS PROPRIETARY AND SHALL NOT BE USED OR DISCLOSED WITHOUT WRITTEN PERMISSION FROM MICROWAVE COMMUNICATIONS LABORATORIES INC. (MCLI)		D8-24/ABS		
CAGE CODE:	SIZE:	REV:	DWG NO.	
OD2L5	A	N/A	82825	
DO NOT SCALE THE DRAWING				

