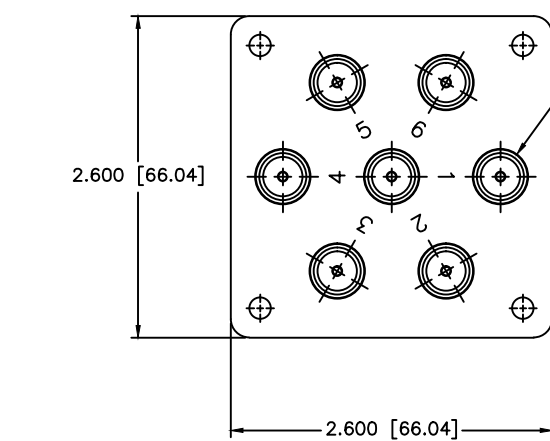
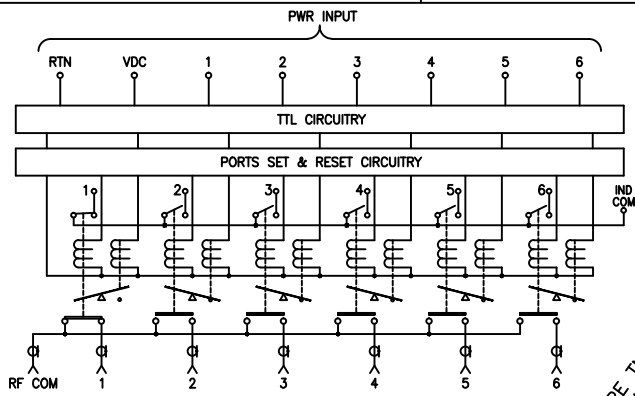
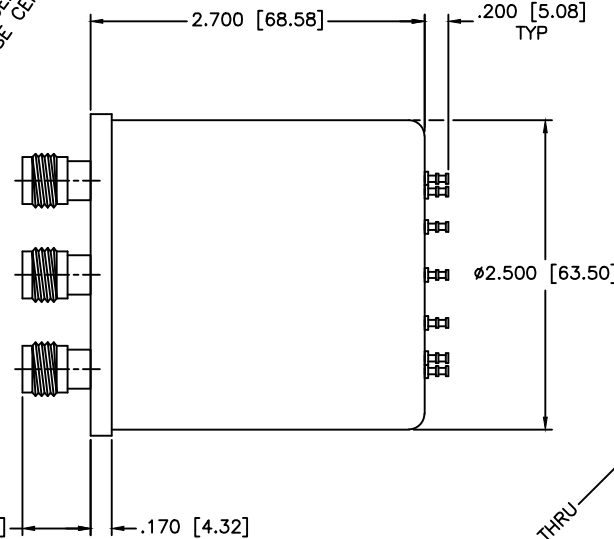


REVISIONS				
ZONE	REV	DESCRIPTION	DATE	APPROVED

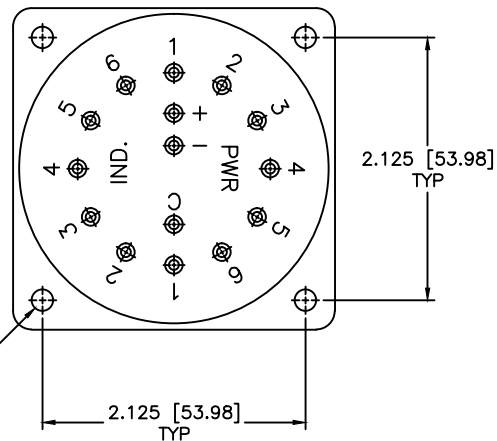


7X TYPE TMC FEMALE
6X EQUALLY SPACED AT 60°
ON Ø1.760 BASE CENTER



LOGIC TRUTH TABLE

RF PATH	T1	T2	T3	T4	T5	T6
1-C	1	0	0	0	0	0
2-C	0	1	0	0	0	0
3-C	0	0	1	0	0	0
4-C	0	0	0	1	0	0
5-C	0	0	0	0	1	0
6-C	0	0	0	0	0	1



SPECIFICATIONS

FREQUENCY RANGE: DC-4.0 GHz
 VSWR: 1.25:1 MAX.
 INSERTION LOSS: 0.25dB MAX.
 ISOLATION: 80dB MIN.

MECHANICAL

CONTACT: BREAK BEFORE MAKE
 ACTUATOR: LATCHING
 SWITCHING SPEED: 20 mSEC MAX

ELECTRICAL

ACTUATOR VOLTAGE: 12.0±3.0 Vdc
 ACTUATOR CURRENT: 685mA MAX @ 12.0 Vdc
 POWER HANDLING: 350W CW @ 1.0GHz
 IMPEDANCE: 50 Ohms

ENVIRONMENTAL

OPERATING TEMP: -54°C to +90°C
 SINE VIBRATION: 30 G'S rms
 LIFE: 1,000,000 CYCLES
 RANDOM VIBRATION: 20 G'S rms

MATERIAL:			MICROWAVE COMMUNICATIONS LABORATORIES INC. 7255 30TH AVE. N. SAINT PETERSBURG, FL 33710 TEL: (727) 344-6254 FAX: (727) 381-6116 http://www.MCLI.COM		SCALE:	N/A
			UNLESS OTHERWISE SPECIFIED: TOLERANCES IN (INCHES) OR [mm] (MILLIMETERS) FRACTIONS: ± 1/64 DECIMALS: ±.02 ±.009 ANGLE: ±1/2°		SHEET:	N/A
DRAWING TITLE:		ELECTROMECHANICAL SWITCHES				
PART NO.:		D6-3-LIL/TF				
DRAWN:	DATE:	PROPRIETARY NOTICE: THE INFORMATION IN THIS DRAWING IS PROPRIETARY AND SHALL NOT BE USED OR DISCLOSED WITHOUT WRITTEN PERMISSION FROM MICROWAVE COMMUNICATIONS LABORATORIES INC. (MCLI)	CAGE CODE:	SIZE:	REV:	DWG NO.:
APPROVED:	DATE:		OD2L5	N/A	B	84614
DRAWN: Paiboon Luekhamhan DATE: 03-31-2001 APPROVED: T. Nguyen DATE: 03-31-2001			DO NOT SCALE THE DRAWING			