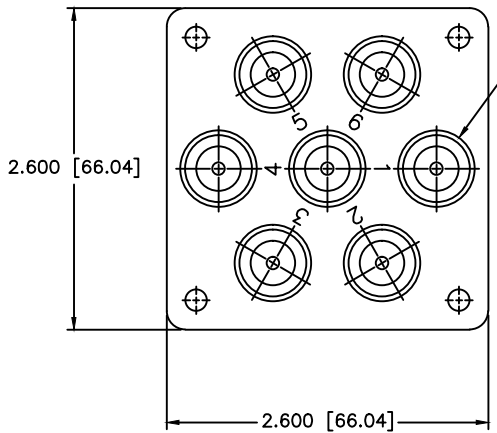
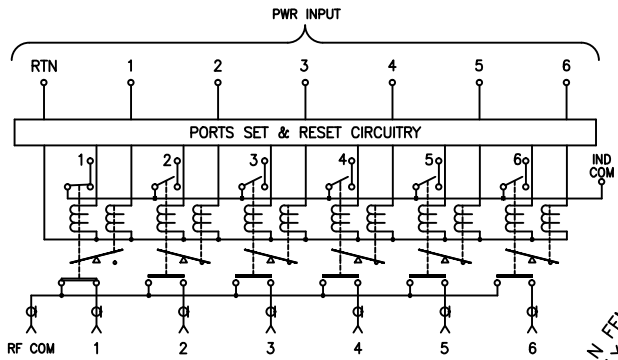
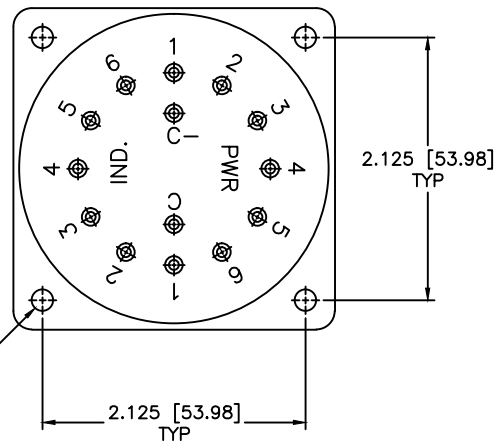
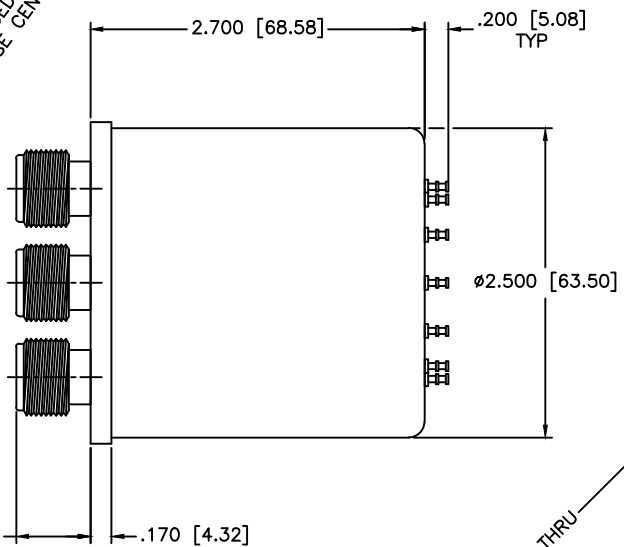


REVISIONS				
ZONE	REV	DESCRIPTION	DATE	APPROVED



7X TYPE N FEMALE
6X EQUALLY SPACED AT 60°
ON Ø1.760 BASE CENTER



SPECIFICATIONS

FREQUENCY RANGE: DC-4.0 GHz
VSWR: 1.25:1 MAX.
INSERTION LOSS: 0.25dB MAX.
ISOLATION: 80dB MIN.

MECHANICAL

CONTACT: BREAK BEFORE MAKE
ACTUATOR: LATCHING
SWITCHING SPEED: 20 mSEC MAX

ELECTRICAL

ACTUATOR VOLTAGE: 12.0±3.0 Vdc
ACTUATOR CURRENT: 685mA MAX @ 12.0 Vdc
POWER HANDLING: 350W CW @ 1.0GHz
IMPEDANCE: 50 Ohms

ENVIRONMENTAL

OPERATING TEMP: -54°C to +90°C
SINE VIBRATION: 30 G'S rms
LIFE: 1,000,000 CYCLES
RANDOM VIBRATION: 20 G'S rms

MATERIAL:			MICROWAVE COMMUNICATIONS LABORATORIES INC. 7255 30TH AVE. N. SAINT PETERSBURG, FL 33710 TEL: (727) 344-6254 FAX: (727) 381-6116 http://WWW.MCLI.COM		SCALE: N/A
			UNLESS OTHERWISE SPECIFIED: TOLERANCES IN (INCHES) OR [mm] (MILLIMETERS) FRACTIONS: ± 1/64 DECIMALS: ± .02 ± .009 ANGLE: ± 1/2°		SHEET: N/A
DRAWING TITLE:		ELECTROMECHANICAL SWITCHES			
PART NO.:		D6-3-LI			
DRAWN: Paiboon Luekhamhan DATE: 03-02-2009	DATE: 03-02-2009	PROPRIETARY NOTICE: THE INFORMATION IN THIS DRAWING IS PROPRIETARY AND SHALL NOT BE USED OR DISCLOSED WITHOUT WRITTEN PERMISSION FROM MICROWAVE COMMUNICATIONS LABORATORIES INC. (MCLI)		CAGE CODE: OD2L5	SIZE: N/A REV: N/A DWG NO.: 84241
APPROVED: T. Nguyen				DO NOT SCALE THE DRAWING	