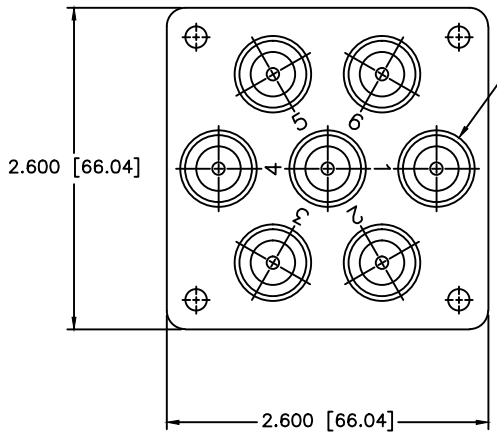
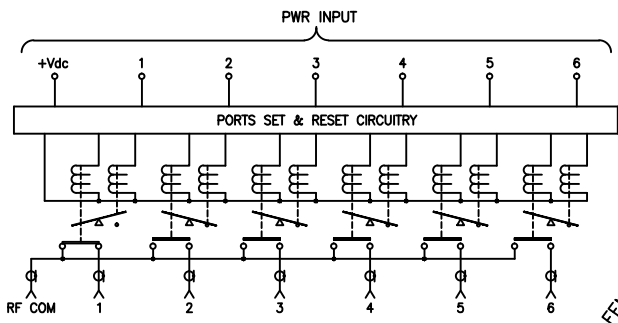
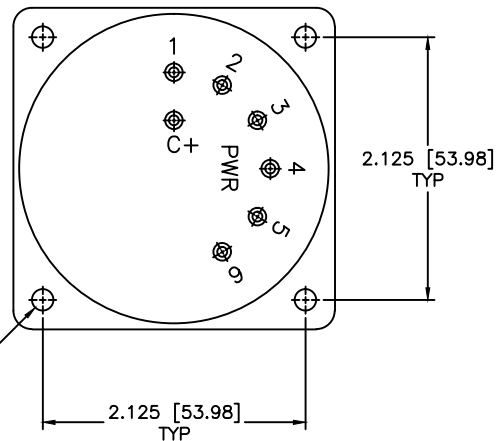
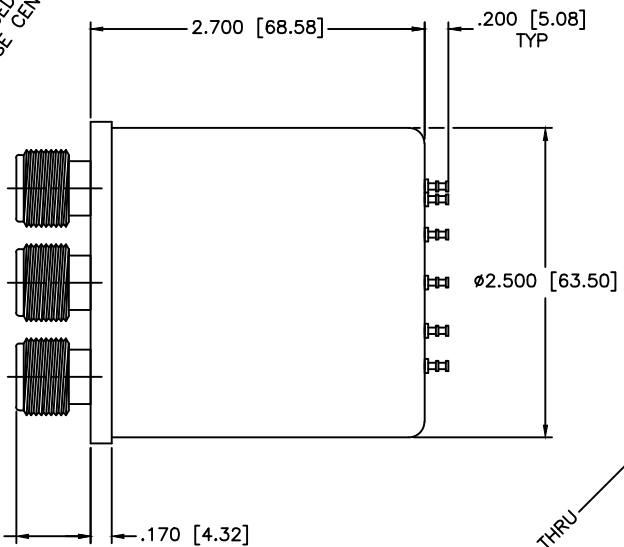


REVISIONS				
ZONE	REV	DESCRIPTION	DATE	APPROVED



7X TYPE N FEMALE  
6X EQUALLY SPACED AT 60°  
ON Ø1.760 BASE CENTER



**SPECIFICATIONS**

FREQUENCY RANGE: DC-4.0 GHz  
 VSWR: 1.25:1 MAX.  
 INSERTION LOSS: 0.25dB MAX.  
 ISOLATION: 80dB MIN.

**MECHANICAL**

CONTACT: BREAK BEFORE MAKE  
 ACTUATOR: LATCHING  
 SWITCHING SPEED: 20 mSEC MAX

**ELECTRICAL**

ACTUATOR VOLTAGE: 28.0 Vdc (22.0-32.0 Vdc)  
 ACTUATOR CURRENT: 685mA MAX @ 28.0 Vdc  
 POWER HANDLING: 350W CW @ 1.0GHz  
 IMPEDANCE: 50 Ohms

**ENVIRONMENTAL**

OPERATING TEMP: -54°C to +90°C  
 SINE VIBRATION: 30 G'S rms  
 LIFE: 1,000,000 CYCLES  
 RANDOM VIBRATION: 20 G'S rms

MATERIAL:			MICROWAVE COMMUNICATIONS LABORATORIES INC. 7255 30TH AVE. N. SAINT PETERSBURG, FL 33710 TEL: (727) 344-6254 FAX: (727) 381-6116 http://WWW.MCLI.COM		SCALE:	N/A	
			UNLESS OTHERWISE SPECIFIED: TOLERANCES IN (INCHES) OR [mm] (MILLIMETERS) FRACTIONS: ± 1/64 DECIMALS: ±.01 ±.005 ANGLE: ±1/2°		SHEET:	N/A	
DRAWING TITLE:		ELECTROMECHANICAL SWITCHES					
PART NO.:		D6-3-L/28P					
DRAWN: Paiboon Luekhamhan	DATE: 03-02-2009	PROPRIETARY NOTICE: THE INFORMATION IN THIS DRAWING IS PROPRIETARY AND SHALL NOT BE USED OR DISCLOSED WITHOUT WRITTEN PERMISSION FROM MICROWAVE COMMUNICATIONS LABORATORIES INC. (MCLI)		CAGE CODE:	SIZE:	REV:	DWG NO.:
APPROVED: T. Nguyen	DATE: 03-02-2009			OD2L5	N/A	N/A	84243
DO NOT SCALE THE DRAWING							