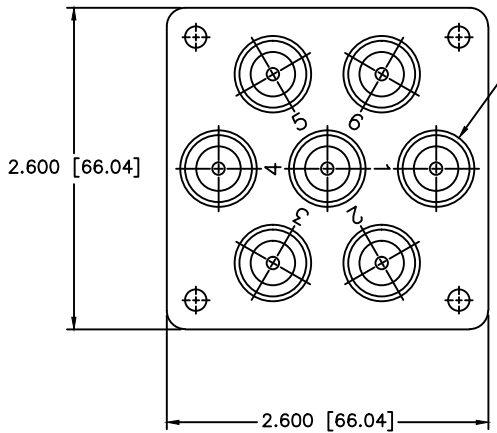
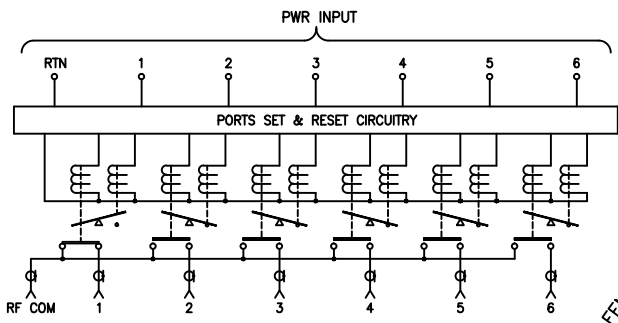
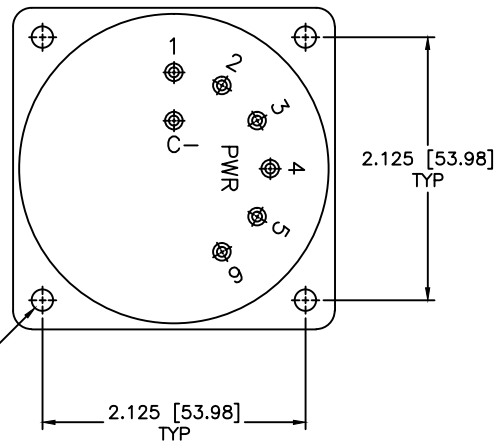
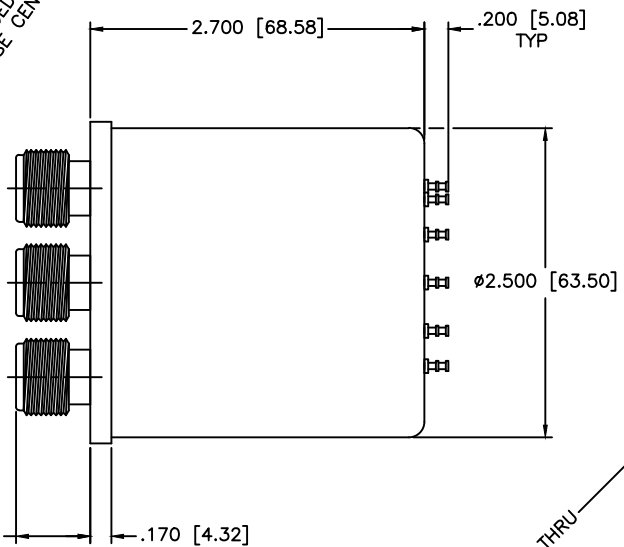


REVISIONS				
ZONE	REV	DESCRIPTION	DATE	APPROVED



7X TYPE N FEMALE
6X EQUALLY SPACED AT 60°
ON Ø1.760 BASE CENTER



SPECIFICATIONS

FREQUENCY RANGE: DC-4.0 GHz
 VSWR: 1.25:1 MAX.
 INSERTION LOSS: 0.25dB MAX.
 ISOLATION: 80dB MIN.

MECHANICAL

CONTACT: BREAK BEFORE MAKE
 ACTUATOR: LATCHING
 SWITCHING SPEED: 20 mSEC MAX

ELECTRICAL

ACTUATOR VOLTAGE: 12.0±3.0 Vdc
 ACTUATOR CURRENT: 685mA MAX @ 12.0 Vdc
 POWER HANDLING: 350W CW @ 1.0GHz
 IMPEDANCE: 50 Ohms

ENVIRONMENTAL

OPERATING TEMP: -54°C to +90°C
 SINE VIBRATION: 30 G'S rms
 LIFE: 1,000,000 CYCLES
 RANDOM VIBRATION: 20 G'S rms

4X Ø.172 [Ø4.37] THRU

MATERIAL:		 MCLI MICROWAVE COMMUNICATIONS LABORATORIES INC. 7255 30TH AVE. N. SAINT PETERSBURG, FL 33710 TEL: (727) 344-6254 FAX: (727) 381-6116 http://WWW.MCLI.COM	SCALE:	N/A
			SHEET:	N/A
DRAWING TITLE:		ELECTROMECHANICAL SWITCHES		
PART NO.:		D6-3-L		
DRAWN:	DATE:	PROPRIETARY NOTICE: THE INFORMATION IN THIS DRAWING IS PROPRIETARY AND SHALL NOT BE USED OR DISCLOSED WITHOUT WRITTEN PERMISSION FROM MICROWAVE COMMUNICATIONS LABORATORIES INC. (MCLI)	CAGE CODE:	SIZE:
APPROVED:	DATE:		OD2L5	N/A
DRAWN: Paiboon Luekhamhan DATE: 03-02-2009		 THIRD ANGLE PROJECTION	REV:	N/A
APPROVED: T. Nguyen DATE: 03-02-2009			DWG NO.:	84242
DO NOT SCALE THE DRAWING				