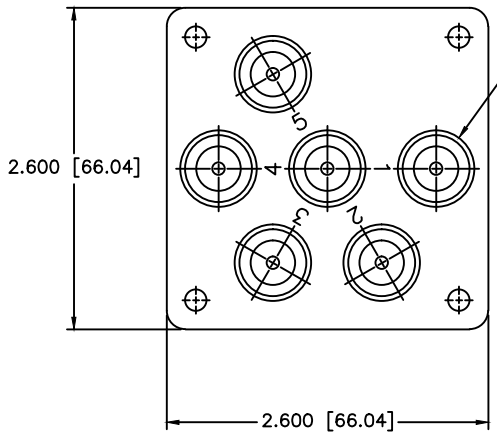
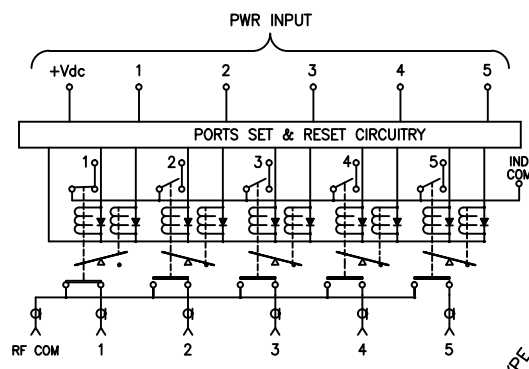
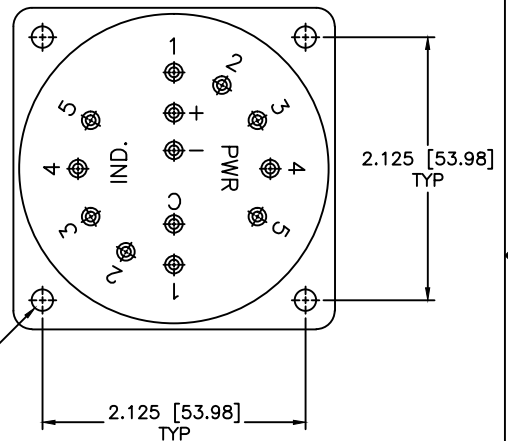
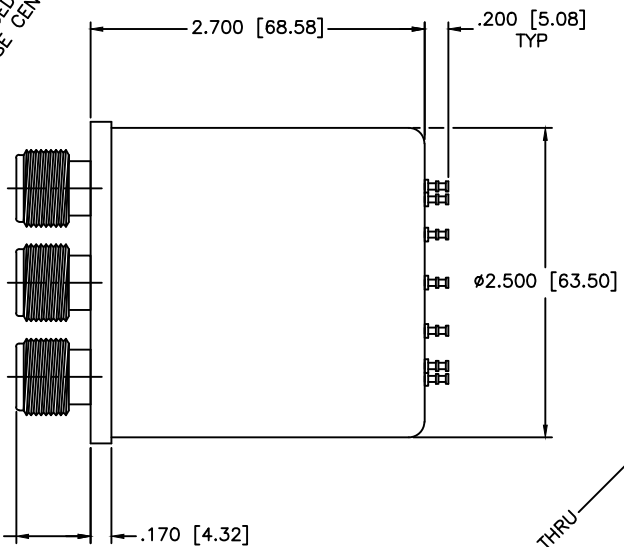


REVISIONS				
ZONE	REV	DESCRIPTION	DATE	APPROVED



6X TYPE N FEMALE  
5X EQUALLY SPACED AT 60°  
ON Ø1.760 BASE CENTER



**SPECIFICATIONS**

FREQUENCY RANGE: DC-2.0 GHz  
 VSWR: 1.20:1 MAX.  
 INSERTION LOSS: 0.20dB MAX.  
 ISOLATION: 90dB MIN.

**MECHANICAL**

CONTACT: BREAK BEFORE MAKE  
 ACTUATOR: LATCHING  
 SWITCHING SPEED: 20 mSEC MAX

**ELECTRICAL**

ACTUATOR VOLTAGE: 28.0 Vdc (22-32 Vdc)  
 ACTUATOR CURRENT: 575mA MAX @ 28.0 Vdc  
 POWER HANDLING: 350W CW @ 1.0GHz  
 IMPEDANCE: 50 Ohms

**ENVIRONMENTAL**

OPERATING TEMP: -54°C to +90°C  
 SINE VIBRATION: 30 G'S rms  
 LIFE: 1,000,000 CYCLES  
 RANDOM VIBRATION: 20 G'S rms

MATERIAL:			MICROWAVE COMMUNICATIONS LABORATORIES INC. 7255 30TH AVE. N. SAINT PETERSBURG, FL 33710 TEL: (727) 344-6254 FAX: (727) 381-6116 http://www.MCLI.COM		SCALE:	N/A
UNLESS OTHERWISE SPECIFIED: TOLERANCES IN (INCHES) OR [mm] (MILLIMETERS) FRACTIONS: ± 1/64 DECIMALS: ±0.01 ±0.005 ANGLE: ±1/2°			DRAWING TITLE:		ELECTROMECHANICAL SWITCHES	
DRAWN: Paiboon Luekhamhan		DATE: 04-06-2001		PART NO.:		D5-LRL
APPROVED: T. Nguyen		DATE: 04-06-2001		CAGE CODE:		OD2L5
THIRD ANGLE PROJECTION		SIZE:		N/A	REV:	N/A
		DO NOT SCALE THE DRAWING		DWG NO.:		81725