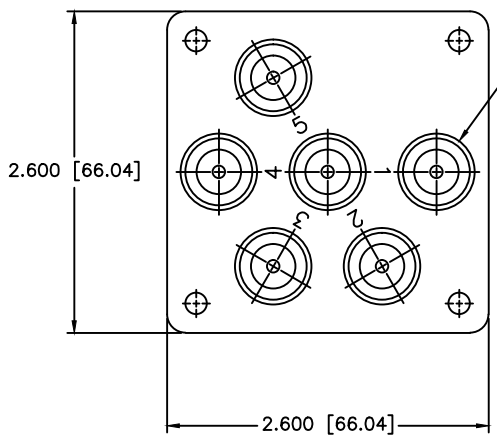
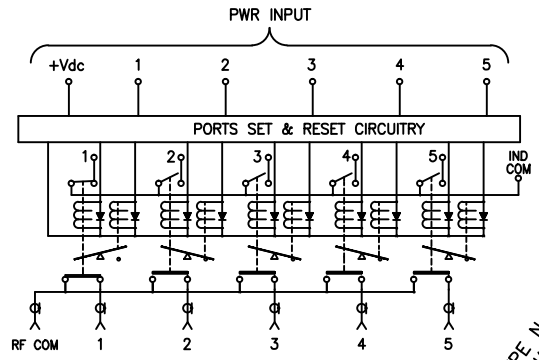
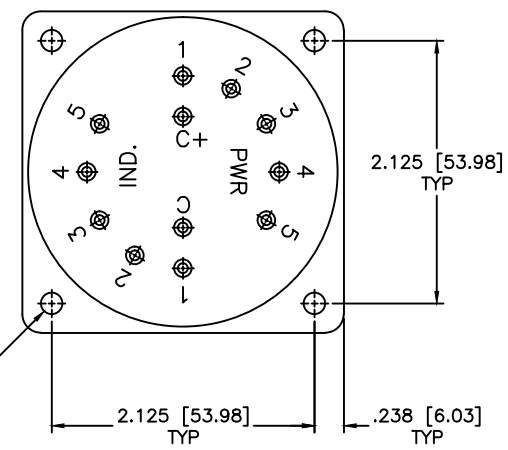
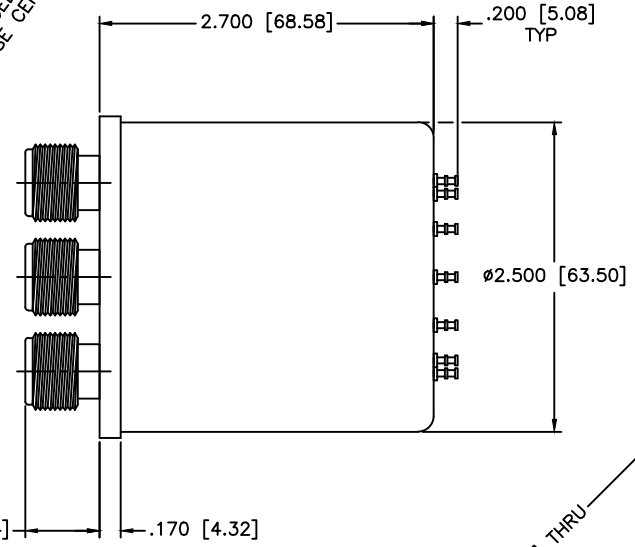


REVISIONS				
ZONE	REV	DESCRIPTION	DATE	APPROVED



6X TYPE N FEMALE
5X EQUALLY SPACED AT 60°
ON Ø1.760 BASE CENTER



SPECIFICATIONS

FREQUENCY RANGE: DC-2.0 GHz
 VSWR: 1.20:1 MAX.
 INSERTION LOSS: 0.20dB MAX.
 ISOLATION: 90dB MIN.

MECHANICAL

CONTACT: BREAK BEFORE MAKE
 ACTUATOR: LATCHING
 SWITCHING SPEED: 20 mSEC MAX

ELECTRICAL

ACTUATOR VOLTAGE: 28.0 Vdc (22-32 Vdc)
 ACTUATOR CURRENT: 575mA MAX @ 28.0 Vdc
 POWER HANDLING: 350W CW @ 1.0GHz
 IMPEDANCE: 50 Ohms

ENVIRONMENTAL

OPERATING TEMP: -54°C to +90°C
 SINE VIBRATION: 30 G'S rms
 LIFE: 1,000,000 CYCLES
 RANDOM VIBRATION: 20 G'S rms

MATERIAL:			MICROWAVE COMMUNICATIONS LABORATORIES INC. 7255 30TH AVE. N. SAINT PETERSBURG, FL 33710 TEL: (727) 344-6254 FAX: (727) 381-6116 http://www.MCLI.COM		SCALE: N/A
UNLESS OTHERWISE SPECIFIED: TOLERANCES IN (INCHES) OR [mm] (MILLIMETERS) FRACTIONS: ± 1/64 DECIMALS: ± .02 ± .009 ANGLE: ± 1/2°			DRAWING TITLE: ELECTROMECHANICAL SWITCHES		SHEET: N/A
DRAWN: Paiboon Luekhamhan		DATE: 03-02-2009		PART NO.: D5-2-LIS/28P	
APPROVED: T. Nguyen		DATE: 03-02-2009		CAGE CODE: OD2L5	SIZE: N/A
PROPRIETARY NOTICE: THE INFORMATION IN THIS DRAWING IS PROPRIETARY AND SHALL NOT BE USED OR DISCLOSED WITHOUT WRITTEN PERMISSION FROM MICROWAVE COMMUNICATIONS LABORATORIES INC. (MCLI)		REV: N/A DWG NO.: 84247		DO NOT SCALE THE DRAWING	

