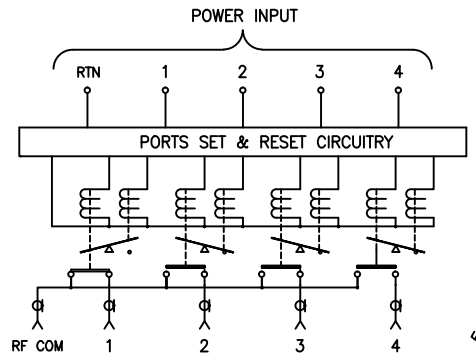
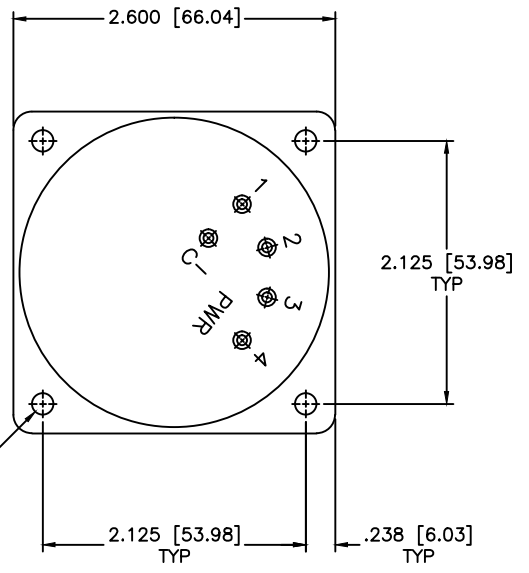
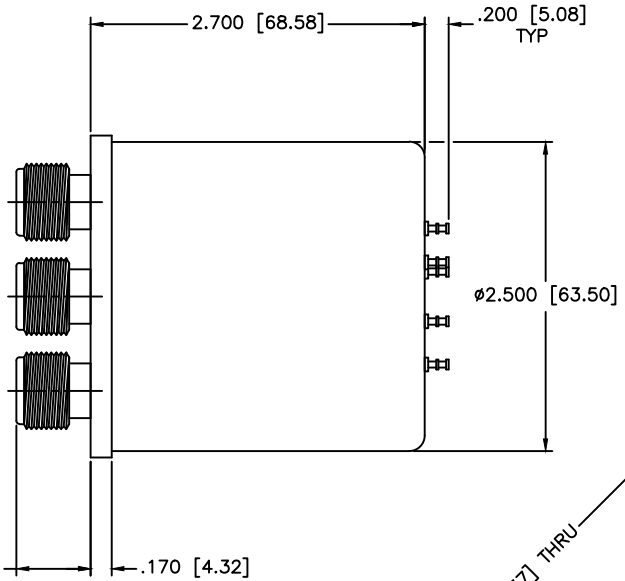
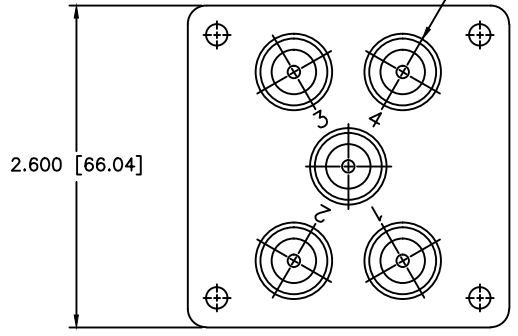


REVISIONS				
ZONE	REV	DESCRIPTION	DATE	APPROVED



5x TYPE N FEMALE
4x EQUALLY SPACED AT 60°, 120°
ON Ø1.760 BASE CENTER



SPECIFICATIONS
 FREQUENCY RANGE: DC-6.0 GHz
 VSWR: 1.40:1 MAX.
 INSERTION LOSS: 0.40dB MAX.
 ISOLATION: 70dB MIN.

MECHANICAL
 CONTACT: BREAK BEFORE MAKE
 ACTUATOR: LATCHING
 SWITCHING SPEED: 20 mSEC MAX

ELECTRICAL
 ACTUATOR VOLTAGE: 28.0 Vdc (22-32 Vdc)
 ACTUATOR CURRENT: 350mA MAX @ 28.0 Vdc
 POWER HANDLING: 350W CW @ 1.0GHz
 IMPEDANCE: 50 Ohms

ENVIRONMENTAL
 OPERATING TEMP: -54°C to +90°C
 SINE VIBRATION: 30 G'S rms
 LIFE: 1,000,000 CYCLES
 RANDOM VIBRATION: 20 G'S rms

4x Ø.172 [Ø4.37] THRU

MATERIAL:			MICROWAVE COMMUNICATIONS LABORATORIES INC. 7255 30TH AVE. N. SAINT PETERSBURG, FL 33710 TEL: (727) 344-6254 FAX: (727) 381-6116 http://www.MCLI.COM		SCALE:	N/A	
			UNLESS OTHERWISE SPECIFIED: TOLERANCES IN (INCHES) OR [mm] (MILLIMETERS) FRACTIONS: ± 1/64 DECIMALS: ±.02 ±.009 ANGLE: ±1/2°		SHEET:	N/A	
DRAWING TITLE:		ELECTROMECHANICAL SWITCHES					
PART NO.:		D4-4-L					
DRAWN: Paiboon Luethamhan	DATE: 03-02-2009	PROPRIETARY NOTICE: THE INFORMATION IN THIS DRAWING IS PROPRIETARY AND SHALL NOT BE USED OR DISCLOSED WITHOUT WRITTEN PERMISSION FROM MICROWAVE COMMUNICATIONS LABORATORIES INC. (MCLI)		CAGE CODE:	SIZE:	REV:	DWG NO.:
APPROVED: T. Nguyen	DATE: 03-02-2009			OD2L5	N/A	N/A	85081
DO NOT SCALE THE DRAWING							