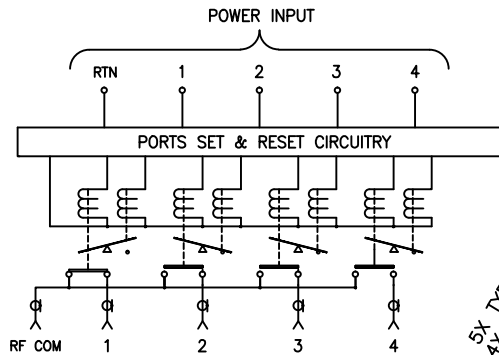
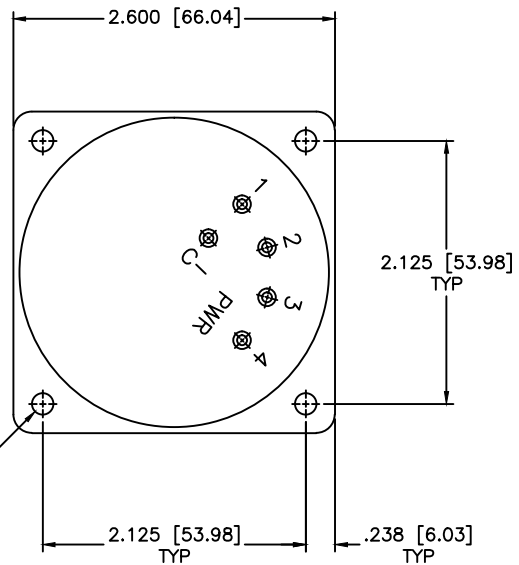
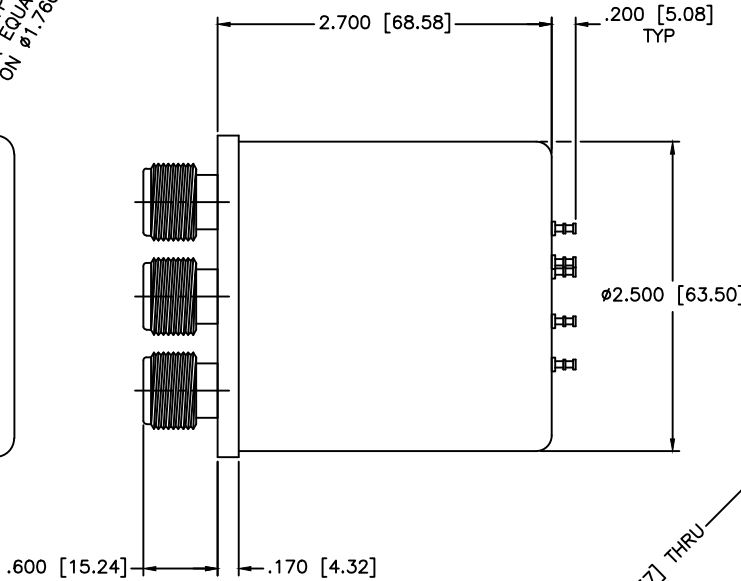
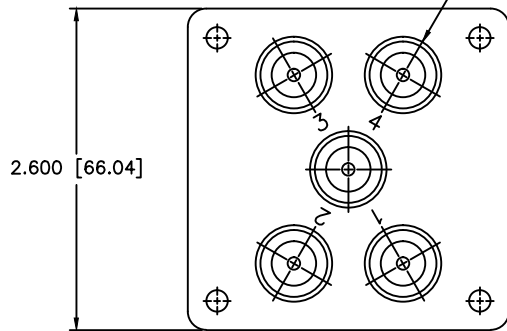


REVISIONS				
ZONE	REV	DESCRIPTION	DATE	APPROVED



5x TYPE N FEMALE
4x EQUALLY SPACED AT 60°, 120°
ON Ø1.760 BASE CENTER



4x Ø.172 [Ø4.37] THRU

SPECIFICATIONS

FREQUENCY RANGE: DC-2.5 GHz
VSWR: 1.25:1 MAX.
INSERTION LOSS: 0.25dB MAX.
ISOLATION: 80dB MIN.

MECHANICAL

CONTACT: BREAK BEFORE MAKE
ACTUATOR: LATCHING
SWITCHING SPEED: 20 mSEC MAX

ELECTRICAL

ACTUATOR VOLTAGE: 28.0 Vdc (22-32 Vdc)
ACTUATOR CURRENT: 350mA MAX @ 28.0 Vdc
POWER HANDLING: 350W CW @ 1.0GHz
IMPEDANCE: 50 Ohms

ENVIRONMENTAL

OPERATING TEMP: -54°C to +90°C
SINE VIBRATION: 30 G'S rms
LIFE: 1,000,000 CYCLES
RANDOM VIBRATION: 20 G'S rms

MATERIAL:			MICROWAVE COMMUNICATIONS LABORATORIES INC. 7255 30TH AVE. N. SAINT PETERSBURG, FL 33710 TEL: (727) 344-6254 FAX: (727) 381-6116 http://WWW.MCLI.COM		SCALE:	N/A	
			UNLESS OTHERWISE SPECIFIED: TOLERANCES IN (INCHES) OR [mm] (MILLIMETERS) FRACTIONS: ± 1/64 DECIMALS: ± 0.01 ± 0.005 ANGLE: ± 1/2°		SHEET:	N/A	
DRAWING TITLE:		ELECTROMECHANICAL SWITCHES					
PART NO.:		D4-3-L					
DRAWN: Paiboon Luekhamhan	DATE: 09-22-2011	PROPRIETARY NOTICE: THE INFORMATION IN THIS DRAWING IS PROPRIETARY AND SHALL NOT BE USED OR DISCLOSED WITHOUT WRITTEN PERMISSION FROM MICROWAVE COMMUNICATIONS LABORATORIES INC. (MCLI)		CAGE CODE:	SIZE:	REV:	DWG NO.:
APPROVED: T. Nguyen	DATE: 09-22-2011			OD2L5	N/A	N/A	85892
DO NOT SCALE THE DRAWING							