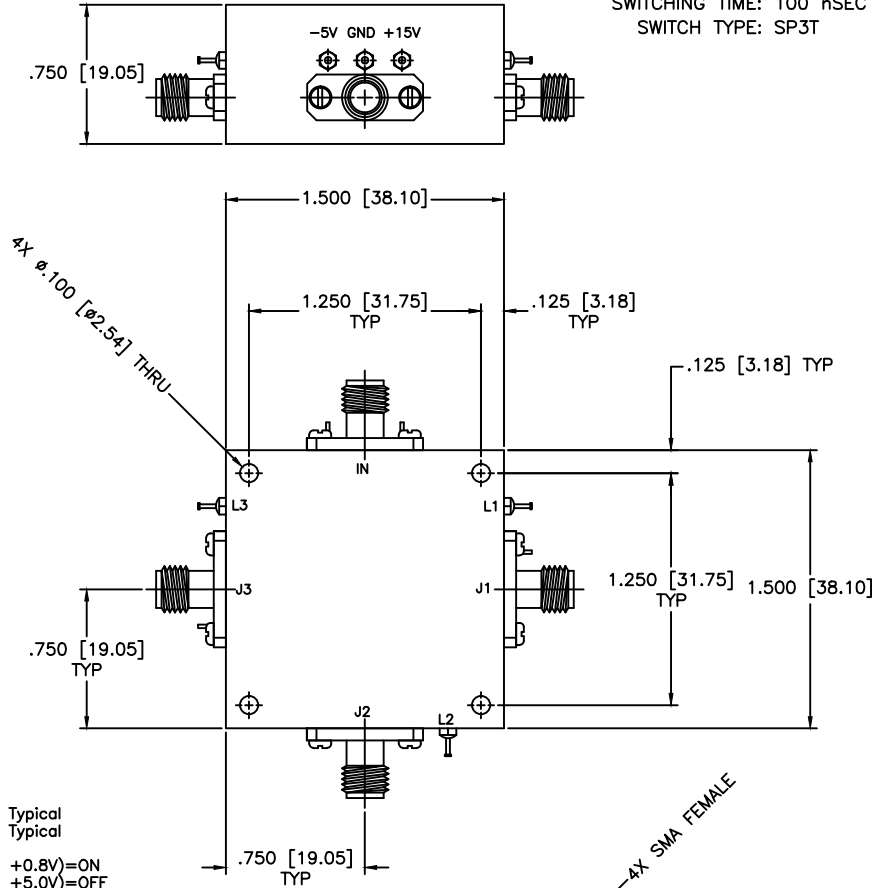


REVISIONS				
ZONE	REV	DESCRIPTION	DATE	APPROVED

SPECIFICATIONS
 FREQUENCY RANGE: 0.2 to 6.0 GHz
 INSERTION LOSS: 2.5dB Max.
 ISOLATION: 70dB Min.
 VSWR: 1.70:1 Max.
 INPUT POWER mW/dBm: 200/23
 SWITCHING TIME: 100 nSEC
 SWITCH TYPE: SP3T



DRIVER SCHOTTKY TTL
 VOLTAGE / CURRENT REQUIRED:
 +5 Vdc @ +70 mA, Typical
 -5 Vdc @ -50 mA, Typical
 INDIVIDUAL TTL CONTROL LOGIC:
 LOGIC "0" (-0.3V to +0.8V)=ON
 LOGIC "1" (+2.0V to +5.0V)=OFF

TTL Control logic					
L1	J2	J3	IN-J1	IN-J2	IN-J3
0	1	1	INSERTION LOSS	ISOLATION	ISOLATION
1	0	1	ISOLATION	INSERTION LOSS	ISOLATION
1	1	0	ISOLATION	ISOLATION	INSERTION LOSS

MATERIAL:		MCLI MICROWAVE COMMUNICATIONS LABORATORIES INC. 7255 30TH AVE. N. SAINT PETERSBURG, FL 33710 TEL: (727) 344-6254 FAX: (727) 381-6116 http://www.mcli.com	SCALE:	N/A
			SHEET:	N/A
DRAWN: Paiboon Luekhamhan		DATE: 11-10-2011	DRAWING TITLE: SP3T SWITCHE, ABSORPTIVE	
APPROVED: T. Nguyen		DATE: 11-10-2011	PART NO. D3-20/ABS	
PROPRIETARY NOTICE: THE INFORMATION IN THIS DRAWING IS PROPRIETARY AND SHALL NOT BE USED OR DISCLOSED WITHOUT WRITTEN PERMISSION FROM MICROWAVE COMMUNICATIONS LABORATORIES INC. (MCLI)		CAGE CODE: OD2L5	SIZE: A	REV: N/A
THIRD ANGLE PROJECTION 		DO NOT SCALE THE DRAWING		DWG NO. 85925