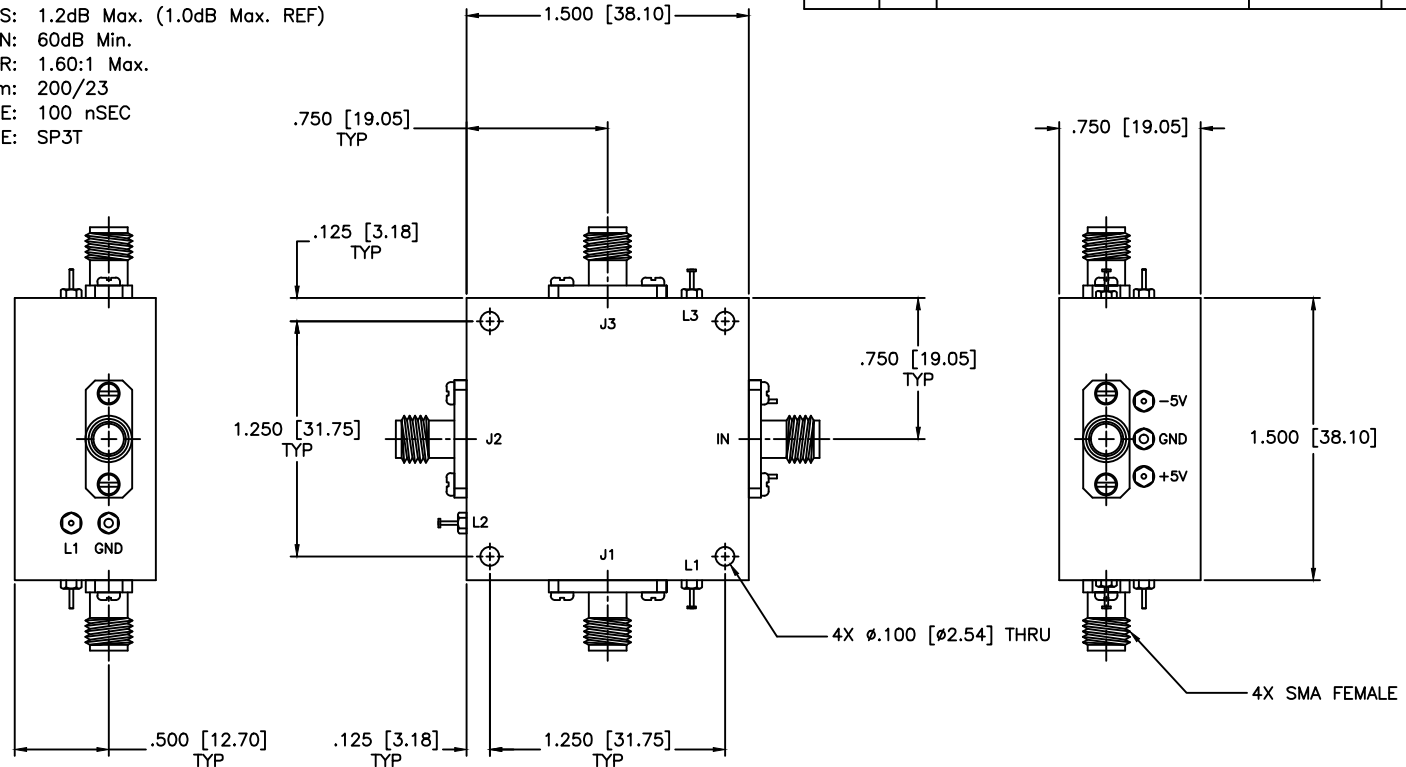


SPECIFICATIONS

FREQUENCY RANGE: 0.225–0.400 GHz
 INSERTION LOSS: 1.2dB Max. (1.0dB Max. REF)
 ISOLATION: 60dB Min.
 VSWR: 1.60:1 Max.
 INPUT POWER mW/dBm: 200/23
 SWITCHING TIME: 100 nSEC
 SWITCH TYPE: SP3T

REVISIONS				
ZONE	REV	DESCRIPTION	Date	APPROVED



DRIVER SCHOTTKY TTL
 VOLTAGE / CURRENT REQUIRED:
 +5 Vdc @ +70 mA, Typical
 -5 Vdc @ -50 mA, Typical

INDIVIDUAL TTL CONTROL LOGIC:
 LOGIC "0" (-0.3V to +0.8V)=ON
 LOGIC "1" (+2.0V to +5.0V)=OFF

TTL Control logic

L1	J2	J3	IN-J1	IN-J2	IN-J3
0	1	1	INSERTION LOSS	ISOLATION	ISOLATION
1	0	1	ISOLATION	INSERTION LOSS	ISOLATION
1	1	0	ISOLATION	ISOLATION	INSERTION LOSS

MATERIAL:	
DRAWN: Paiboon Luekhamhan	
DATE: 01-06-2014	
APPROVED: T. Nguyen	
DATE: 01-06-2014	

<p>MICROWAVE COMMUNICATIONS LABORATORIES INC. 7255 30TH AVE. N. SAINT PETERSBURG, FL 33710 TEL: (727) 344-6254 FAX: (727) 381-6116 http://www.mcli.com</p>	SCALE: N/A
	SHEET: N/A
UNLESS OTHERWISE SPECIFIED: TOLERANCES IN (INCHES) OR [mm] (MILLIMETERS) FRACTIONS: ± 1/64 DECIMALS: ±.01 ±.005 ANGLE: ±1/2°	DRAWING TITLE: PIN DIODE SWITCHES
PROPRIETARY NOTICE: THE INFORMATION IN THIS DRAWING IS PROPRIETARY AND SHALL NOT BE USED OR DISCLOSED WITHOUT WRITTEN PERMISSION FROM MICROWAVE COMMUNICATIONS LABORATORIES INC. (MCLI)	PART NO. D3-1
THIRD ANGLE PROJECTION	CAGE CODE: OD2L5 SIZE: A REV: A DWG NO. 84119
DO NOT SCALE THE DRAWING	