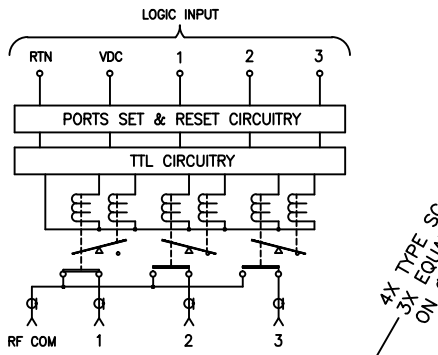
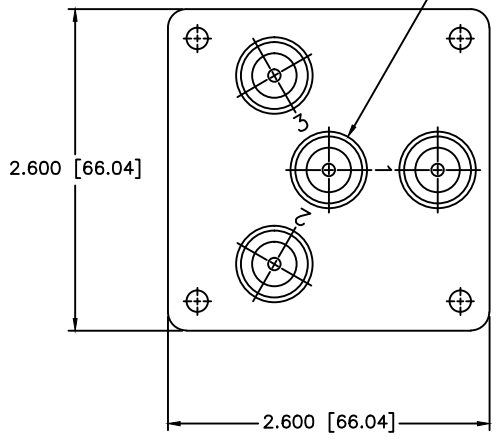


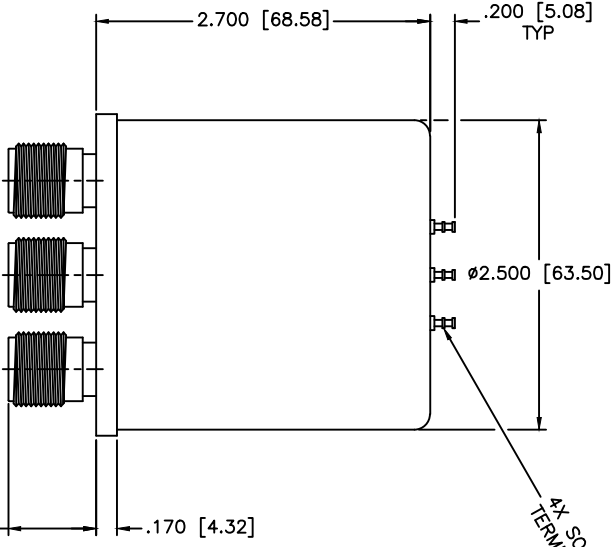
REVISIONS				
ZONE	REV	DESCRIPTION	DATE	APPROVED



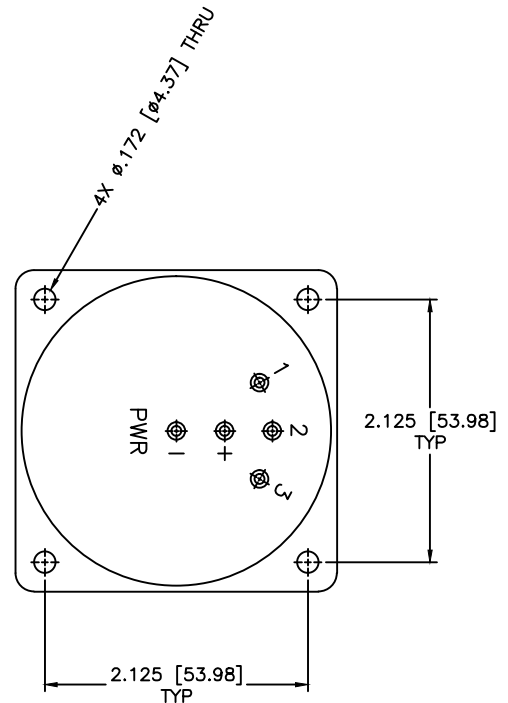
4X TYPE SC FEMALE
3X EQUALLY SPACED AT 120°
ON Ø1.760 BASE CENTER



.707 [17.96]
TYP



4X SOLDERING
TERMINAL



SPECIFICATIONS
 FREQUENCY RANGE: DC-1.0 GHz
 VSWR: 1.20:1 MAX.
 INSERTION LOSS: 0.20dB MAX.
 ISOLATION: 90dB MIN.

MECHANICAL
 CONTACT: BREAK BEFORE MAKE
 ACTUATOR: LATCHING
 SWITCHING SPEED: 20 mSEC MAX

ELECTRICAL
 ACTUATOR VOLTAGE: 28.0±3.0 Vdc
 ACTUATOR CURRENT: 350mA MAX @ 28.0 Vdc
 POWER HANDLING: 350W CW @ 1.0GHz
 IMPEDANCE: 50 Ohms

ENVIRONMENTAL
 OPERATING TEMP: -54°C to +90°C
 SINE VIBRATION: 30 G'S rms
 LIFE: 1,000,000 CYCLES
 RANDOM VIBRATION: 20 G'S rms

MATERIAL:			MICROWAVE COMMUNICATIONS LABORATORIES INC. 7255 30TH AVE. N. SAINT PETERSBURG, FL 33710 TEL: (727) 344-6254 FAX: (727) 381-6116 http://www.MCLI.COM		SCALE:	N/A
			UNLESS OTHERWISE SPECIFIED: TOLERANCES IN (INCHES) OR [mm] (MILLIMETERS) FRACTIONS: ± 1/64 DECIMALS: ± .02 ± .009 ANGLE: ± 1/2°		SHEET:	N/A
DRAWING TITLE:		ELECTROMECHANICAL SWITCHES				
PART NO.:		D3-1-LL/SC				
DRAWN: Paiboon Luekhamhan	DATE: 09-24-2003	PROPRIETARY NOTICE: THE INFORMATION IN THIS DRAWING IS PROPRIETARY AND SHALL NOT BE USED OR DISCLOSED WITHOUT WRITTEN PERMISSION FROM MICROWAVE COMMUNICATIONS LABORATORIES INC. (MCLI)	CAGE CODE:	SIZE:	REV:	DWG NO.:
APPROVED: T. Nguyen	DATE: 09-24-2003		OD2L5	N/A	N/A	82294
DO NOT SCALE THE DRAWING						