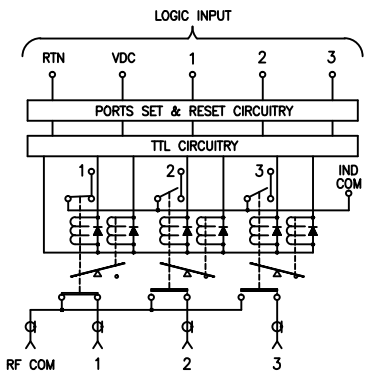
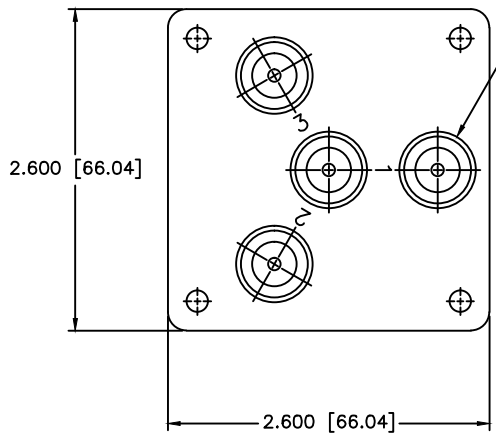


4 | 3 | 2 | 1

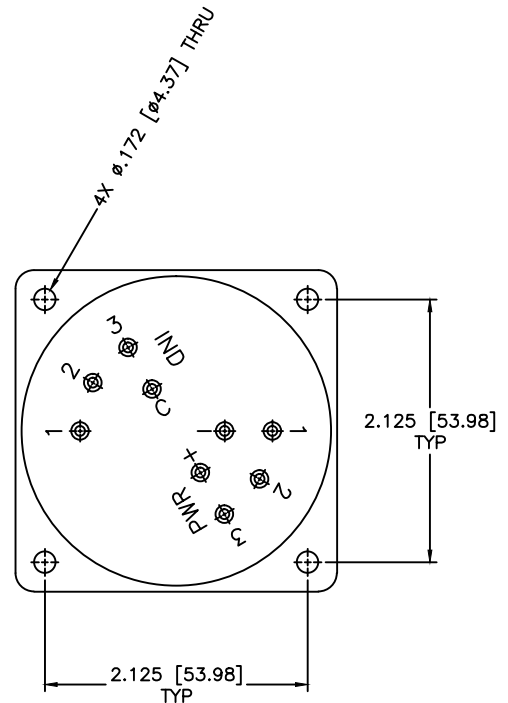
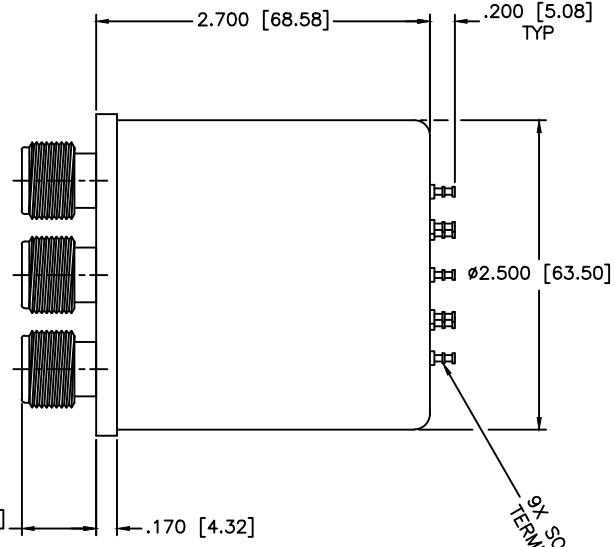


LOGIC TRUTH TABLE			
RF PATH	LOGIC SIGNAL		
	T1	T2	T3
1-C	1	0	0
2-C	0	1	0
3-C	0	0	1

REVISIONS				
ZONE	REV	DESCRIPTION	DATE	APPROVED



4X TYPE N FEMALE
3X EQUALLY SPACED AT 120°
ON Ø1.760 BASE CENTER



9X SOLDERING
TERMINAL

SPECIFICATIONS

FREQUENCY RANGE: DC-1.0 GHz
VSWR: 1.20:1 MAX.
INSERTION LOSS: 0.20dB MAX.
ISOLATION: 90dB MIN.

MECHANICAL

CONTACT: BREAK BEFORE MAKE
ACTUATOR: LATCHING
SWITCHING SPEED: 20 mSEC MAX

ELECTRICAL

ACTUATOR VOLTAGE: 28.0±3.0 Vdc
ACTUATOR CURRENT: 350mA MAX @ 28.0 Vdc
POWER HANDLING: 350W CW @ 1.0GHz
IMPEDANCE: 50 Ohms

ENVIRONMENTAL

OPERATING TEMP: -54°C to +90°C
SINE VIBRATION: 30 G'S rms
LIFE: 1,000,000 CYCLES
RANDOM VIBRATION: 20 G'S rms

MATERIAL:			MICROWAVE COMMUNICATIONS LABORATORIES INC. 7255 30TH AVE. N. SAINT PETERSBURG, FL 33710 TEL: (727) 344-6254 FAX: (727) 381-6116 http://www.MCLI.COM		SCALE:	N/A
DRAWN: Paiboon Luekhamhan	DATE: 03-02-2009		UNLESS OTHERWISE SPECIFIED: TOLERANCES IN (INCHES) OR [mm] (MILLIMETERS) FRACTIONS: ± 1/64 DECIMALS: ±.02 ±.009 ANGLE: ±1/2°	DRAWING TITLE:		SHEET:
APPROVED: T. Nguyen	DATE: 03-02-2009	PROPRIETARY NOTICE: THE INFORMATION IN THIS DRAWING IS PROPRIETARY AND SHALL NOT BE USED OR DISCLOSED WITHOUT WRITTEN PERMISSION FROM MICROWAVE COMMUNICATIONS LABORATORIES INC. (MCLI)	PART NO.:		D3-1-LISL	
		THIRD ANGLE PROJECTION 	CAGE CODE:	SIZE:	REV:	DWG. NO.
			OD2L5	N/A	N/A	84252
			DO NOT SCALE THE DRAWING			

4 | 3 | 2 | 1