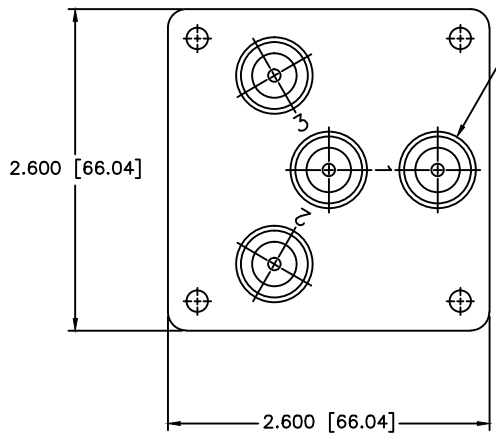
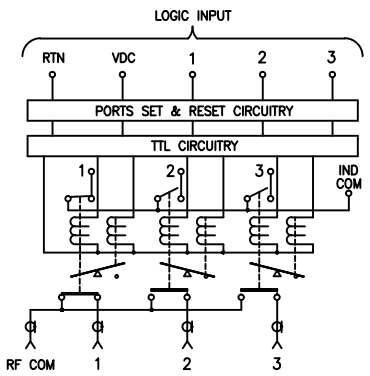
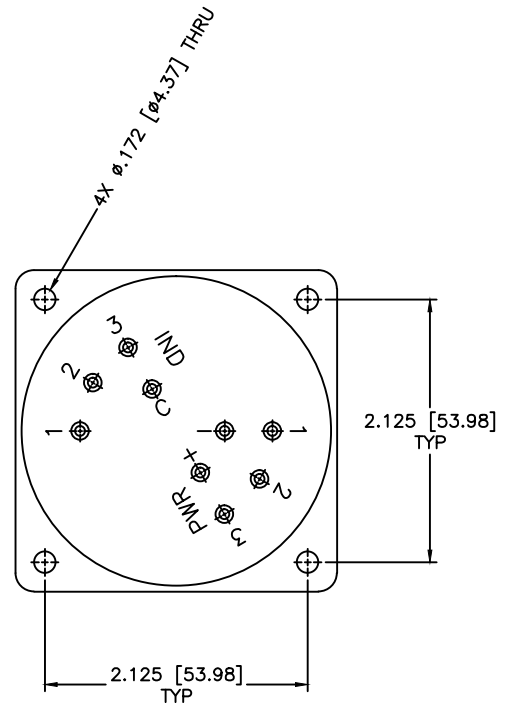
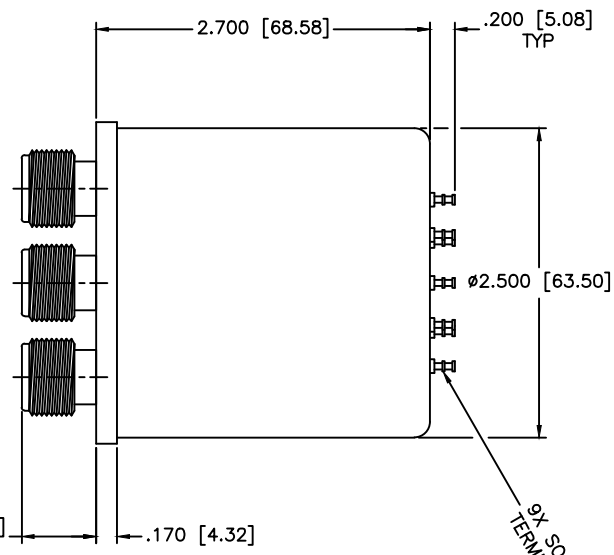


4 | 3 | 2 | 1

REVISIONS				
ZONE	REV	DESCRIPTION	DATE	APPROVED



4X TYPE N FEMALE
3X EQUALLY SPACED AT 120°
ON Ø1.760 BASE CENTER



SPECIFICATIONS
 FREQUENCY RANGE: DC-1.0 GHz
 VSWR: 1.20:1 MAX.
 INSERTION LOSS: 0.20dB MAX.
 ISOLATION: 90dB MIN.

MECHANICAL
 CONTACT: BREAK BEFORE MAKE
 ACTUATOR: LATCHING
 SWITCHING SPEED: 20 mSEC MAX

ELECTRICAL
 ACTUATOR VOLTAGE: 28.0±3.0 Vdc
 ACTUATOR CURRENT: 350mA MAX @ 28.0 Vdc
 POWER HANDLING: 350W CW @ 1.0GHz
 IMPEDANCE: 50 Ohms

ENVIRONMENTAL
 OPERATING TEMP: -54°C to +90°C
 SINE VIBRATION: 30 G'S rms
 LIFE: 1,000,000 CYCLES
 RANDOM VIBRATION: 20 G'S rms

MATERIAL:			MICROWAVE COMMUNICATIONS LABORATORIES INC. 7255 30TH AVE. N. SAINT PETERSBURG, FL 33710 TEL: (727) 344-6254 FAX: (727) 381-6116 http://www.MCLI.COM		SCALE: N/A
UNLESS OTHERWISE SPECIFIED: TOLERANCES IN (INCHES) OR [mm] (MILLIMETERS) FRACTIONS: ± 1/64 DECIMALS: ±.02 ±.009 ANGLE: ±1/2°			DRAWING TITLE: ELECTROMECHANICAL SWITCHES		SHEET: N/A
DRAWN: Paiboon Luekhamhan		DATE: 04-05-2001		PART NO.: D3-1-LIL	
APPROVED: T. Nguyen		DATE: 04-05-2001		CAGE CODE: OD2L5	SIZE: N/A
THIRD ANGLE PROJECTION		REVISIONS: N/A		DWG. NO.: 81723	
DO NOT SCALE THE DRAWING					

4 | 3 | 2 | 1