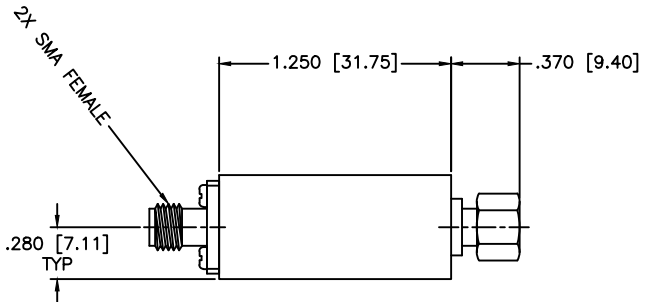
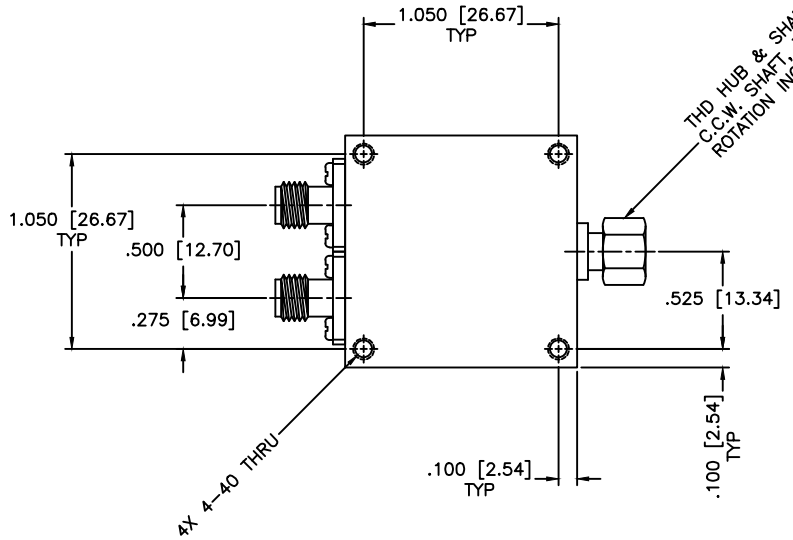


REVISIONS				
ZONE	REV	DESCRIPTION	DATE	APPROVED

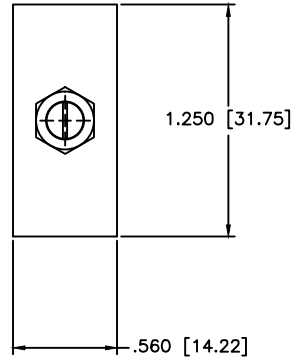


SPECIFICATIONS

Frequency Range: DC–200 MHz
 Attenuation Range: 0–10dB
 Insertion loss: 0.5dB Max.
 Flatness: ±0.5dB
 VSWR: 1.80:1 Max.
 RF Power: 0.5W Avg.
 Impedance: 50 Ohms
 Operating Temperature: –24°C to +70°C



THD HUB & SHAFT WITH LOCKING NUT
 C.C.W. SHAFT, TURNS COUNTING DIAL
 ROTATION INCREASES ATTEN.



MATERIAL:	
DRAWN:	DATE:
Paihoon Luekhamhan	06-10-2016
APPROVED:	DATE:
T. Nguyen	06-10-2016

	MICROWAVE COMMUNICATIONS LABORATORIES INC. 7255 30TH AVE. N. SAINT PETERSBURG, FL 33710 TEL: (727) 344-6254 FAX: (727) 381-6116 http://WWW.MCLI.COM		SHEET:	N/A
	UNLESS OTHERWISE SPECIFIED: TOLERANCES IN (INCHES) OR [mm] (MILLIMETERS) FRACTIONS: ± 1/64 DECIMALS: ±.01 ±.005 ANGLE: ±1/2°		DRAWING TITLE:	COAXIAL ATTENUATOR WITH LOCKING NUT
PROPRIETARY NOTICE: THE INFORMATION IN THIS DRAWING IS PROPRIETARY AND SHALL NOT BE USED OR DISCLOSED WITHOUT WRITTEN PERMISSION FROM MICROWAVE COMMUNICATIONS LABORATORIES INC. (MCLI)		PART NO. CVAL3-10/LN		
CAGE CODE:	SIZE:	REV:	DWG NO.	
OD2L5	A	N/A	86638	
DO NOT SCALE THE DRAWING				