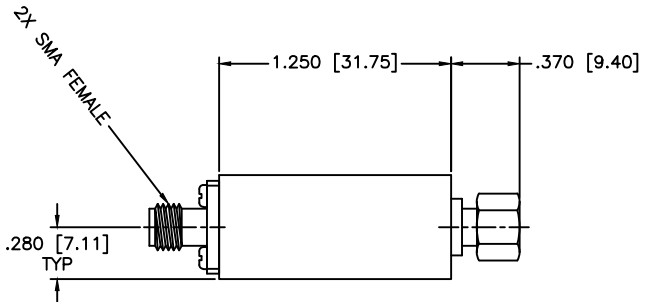
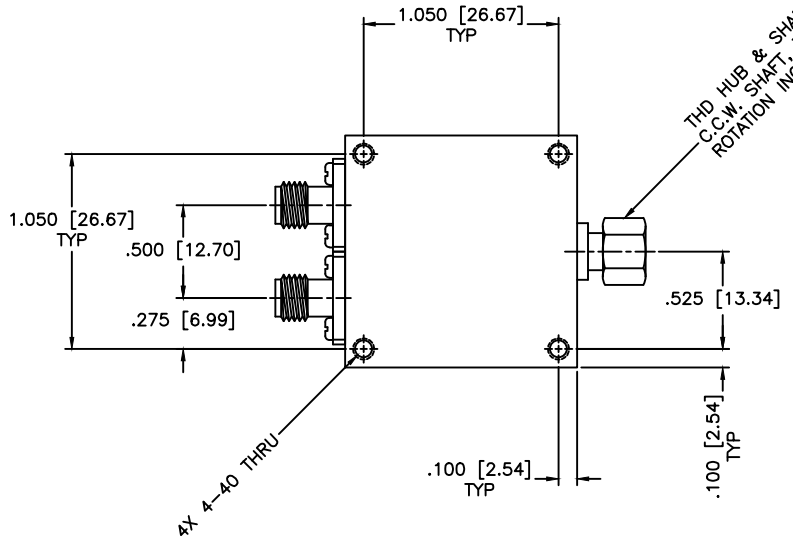


REVISIONS				
ZONE	REV	DESCRIPTION	DATE	APPROVED

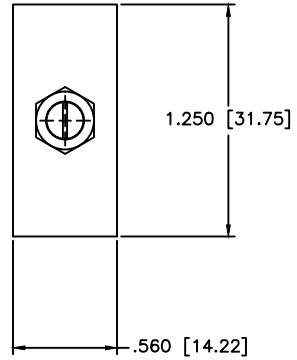


SPECIFICATIONS

Frequency Range: DC–1.0 GHz
Attenuation Range: 0–10dB
Insertion loss: 0.5dB Max.
Flatness: ±1.5dB
VSWR: 1.80:1 Max.
RF Power: 0.5W Avg.
Impedance: 50 Ohms
Operating Temperature: –24°C to +70°C



THD HUB & SHAFT WITH LOCKING NUT
C.C.W. SHAFT, TURNS COUNTING DIAL
ROTATION INCREASES ATTEN.



MATERIAL:	
DRAWN: Paihoon Luekhamhan	DATE: 06-10-2016
APPROVED: T. Nguyen	DATE: 06-10-2016

	MICROWAVE COMMUNICATIONS LABORATORIES INC. 7255 30TH AVE. N. SAINT PETERSBURG, FL 33710 TEL: (727) 344-6254 FAX: (727) 381-6116 http://WWW.MCLI.COM		SHEET:	N/A
	UNLESS OTHERWISE SPECIFIED: TOLERANCES IN (INCHES) OR [mm] (MILLIMETERS) FRACTIONS: ± 1/64 DECIMALS: ±.01 ±.005 ANGLE: ±1/2°		DRAWING TITLE:	COAXIAL ATTENUATOR WITH LOCKING NUT
PROPRIETARY NOTICE: THE INFORMATION IN THIS DRAWING IS PROPRIETARY AND SHALL NOT BE USED OR DISCLOSED WITHOUT WRITTEN PERMISSION FROM MICROWAVE COMMUNICATIONS LABORATORIES INC. (MCLI)		PART NO.	CVAL2-10/LN	
CAGE CODE:	OD2L5	SIZE:	A	REV: N/A
THIRD ANGLE PROJECTION 		DO NOT SCALE THE DRAWING		DWG NO. 86636