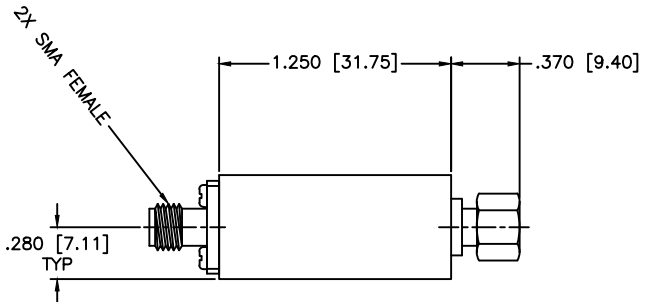
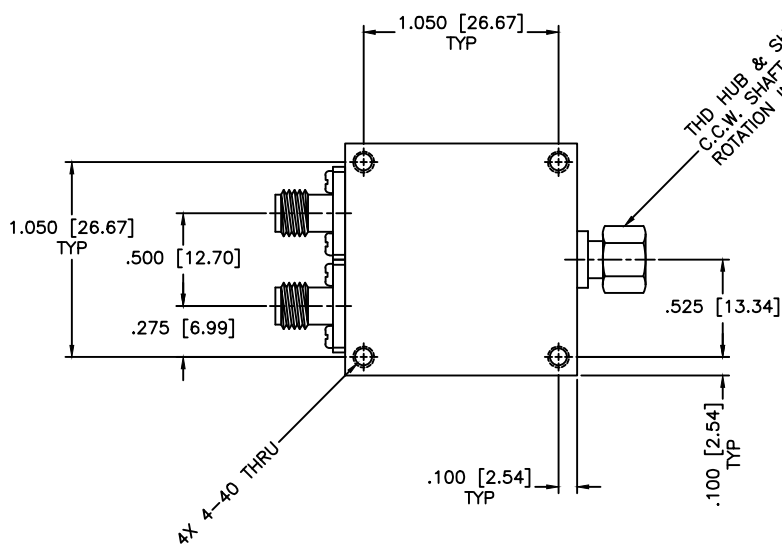


REVISIONS				
ZONE	REV	DESCRIPTION	DATE	APPROVED

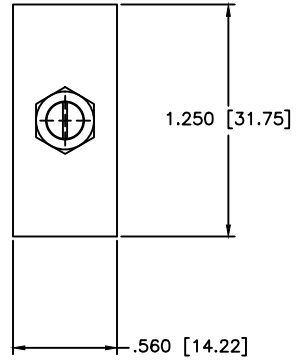


SPECIFICATIONS

Frequency Range: DC-500 MHz
Attenuation Min/Typ: 0-5dB/0-20dB
Insertion loss: 0.5dB Max.
Flatness: ±1.0dB
VSWR: 1.80:1 Max.
RF Power: 0.5W Avg.
Impedance: 50 Ohms
Operating Temperature: -20°C to +70°C



THD HUB & SHAFT WITH LOCKING NUT
C.C.W. SHAFT, TURNS COUNTING DIAL
ROTATION INCREASES ATTEN.



MATERIAL:	
DRAWN:	DATE:
Paihoon Luekhamhan	06-10-2013
APPROVED:	DATE:
T. Nguyen	06-10-2013

	MICROWAVE COMMUNICATIONS LABORATORIES INC. 7255 30TH AVE. N. SAINT PETERSBURG, FL 33710 TEL: (727) 344-6254 FAX: (727) 381-6116 http://WWW.MCLI.COM		SCALE:	N/A
	UNLESS OTHERWISE SPECIFIED: TOLERANCES IN (INCHES) OR [mm] (MILLIMETERS) FRACTIONS: ± 1/64 DECIMALS: ±.01 ±.005 ANGLE: ±1/2°		SHEET:	N/A
DRAWING TITLE: COAXIAL ATTENUATOR WITH LOCKING NUT		PART NO.		
PROPRIETARY NOTICE: THE INFORMATION IN THIS DRAWING IS PROPRIETARY AND SHALL NOT BE USED OR DISCLOSED WITHOUT WRITTEN PERMISSION FROM MICROWAVE COMMUNICATIONS LABORATORIES INC. (MCLI)		CVAL1-15/LN		
CAGE CODE:	SIZE:	REV:	DWG NO.	
OD2L5	A	N/A	86284	
DO NOT SCALE THE DRAWING				

