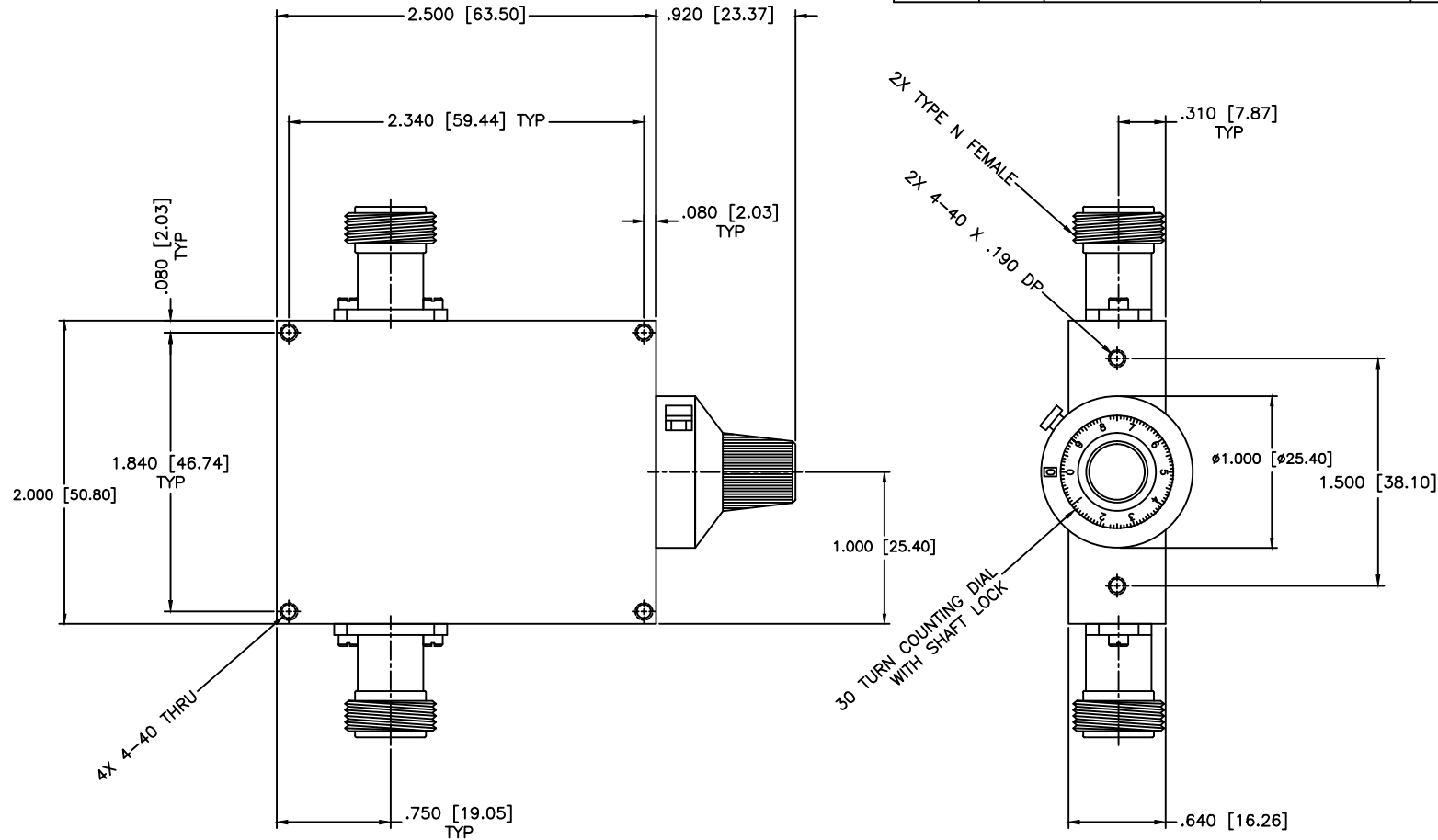


REVISIONS				
ZONE	REV	DESCRIPTION	DATE	APPROVED



**SPECIFICATIONS**

Frequency Range: 6–11 GHz  
 Attenuation: 40dB  
 Insertion Loss: 0.5 Max.  
 VSWR: 1.50:1 Max.  
 Power Handling: 7W Avg. 3kW Peak

**ENVIRONMENTAL**

Temperature Range: -55°C to +110°C  
 Shock: 15 G's, 11mS, 1/2 sine  
 Vibration: 3 G's overall  
 Altitude: 40,000ft. Survival 25,000ft Operating

MATERIAL:	
DRAWN: Paiboon Luekhamhan	DATE: 02-08-2011
APPROVED: T. Nguyen	DATE: 02-08-2011

**MCLI** MICROWAVE COMMUNICATIONS LABORATORIES INC.  
 7255 30TH AVE. N. SAINT PETERSBURG, FL 33710  
 TEL: (727) 344-6254 FAX: (727) 381-6116  
 http://WWW.MCLI.COM

UNLESS OTHERWISE SPECIFIED:  
 TOLERANCES  
 IN (INCHES) OR [mm] (MILLIMETERS)  
 FRACTIONS: ± 1/64  
 DECIMALS: ±.01 ±.005  
 ANGLE: ±1/2°

PROPRIETARY NOTICE:  
 THE INFORMATION IN THIS DRAWING IS PROPRIETARY  
 AND SHALL NOT BE USED OR DISCLOSED WITHOUT WRITTEN  
 PERMISSION FROM MICROWAVE COMMUNICATIONS  
 LABORATORIES INC. (MCLI)

THIRD ANGLE PROJECTION

SCALE:	N/A
SHEET:	N/A
DRAWING TITLE: CONTINUOUSLY VARIABLE ATTENUATOR WITH DIAL	
PART NO. CVA9-40/DNF	
CAGE CODE: OD2L5	SIZE: N/A
REV: N/A	DWG NO. 85428
DO NOT SCALE THE DRAWING	