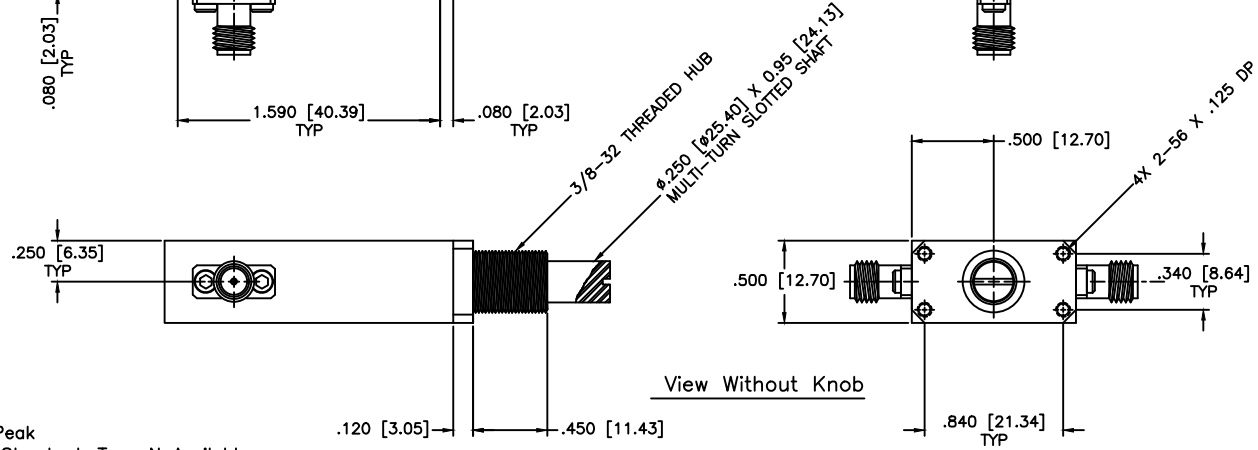
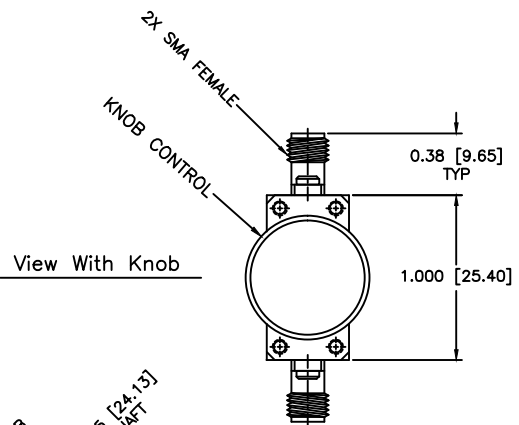
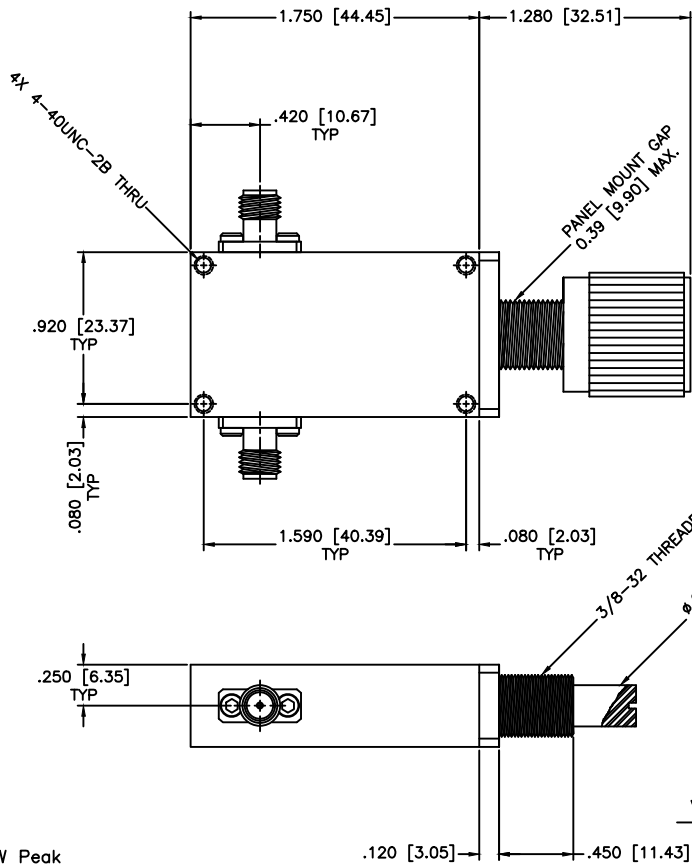


REVISIONS				
ZONE	REV	DESCRIPTION	DATE	APPROVED



GENERAL SPECIFICATIONS

Electrical
 RF Power: 7W Average, 3kW Peak
 RF Connectors: SMA, 2.92mm Standard, Type N Available.
 Insertion Loss:
 to 18 GHz: 0.50dB Max.
 to 26 GHz: 0.75dB Max.
 to 40 GHz: 1.50dB Max.

Mechanical
 Standard, Turns Counting, Knob, Tape Drive, Motor
 Body: Aluminum
 Connectors: Stainless Steel
 Finish: Corrosion Resistant 316SS Epoxy Coating, Grey
 Weight: 2.0oz, 56gm (Standard Model Only)
 Environmental
 Temp: -55°C to +110 °C
 Shock: 15 G's, 11ms, 1/2 sine
 Vibration: 3 G's overall
 Altitude: 40,000ft. Survival 25,000ft Operating

MATERIAL:	
DRAWN: Paiboon Luekhamhan	DATE: 08-10-2016
APPROVED: T. Nguyen	DATE: 08-10-2016

	MICROWAVE COMMUNICATIONS LABORATORIES INC. 7255 30TH AVE. N. SAINT PETERSBURG, FL 33710 TEL: (727) 344-6254 FAX: (727) 381-6116 http://WWW.MCLI.COM	SHEET:	N/A
	UNLESS OTHERWISE SPECIFIED: TOLERANCES IN (INCHES) OR [mm] (MILLIMETERS) FRACTIONS: ± 1/64 DECIMALS: ±.01 ±.005 ANGLE: ±1/2°		DRAWING TITLE:
PROPRIETARY NOTICE: THE INFORMATION IN THIS DRAWING IS PROPRIETARY AND SHALL NOT BE USED OR DISCLOSED WITHOUT WRITTEN PERMISSION FROM MICROWAVE COMMUNICATIONS LABORATORIES INC. (MCLI)		PART NO.	CA600/DK, CVA600/DK
CAGE CODE:	OD2L5	SIZE:	A
THIRD ANGLE PROJECTION		REV:	N/A
		DWG NO.	XXXXX
DO NOT SCALE THE DRAWING			