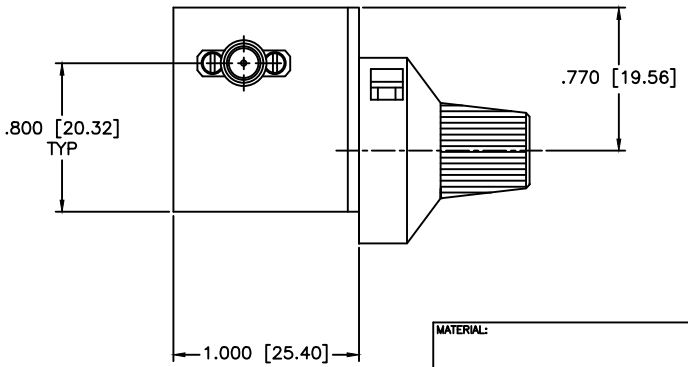
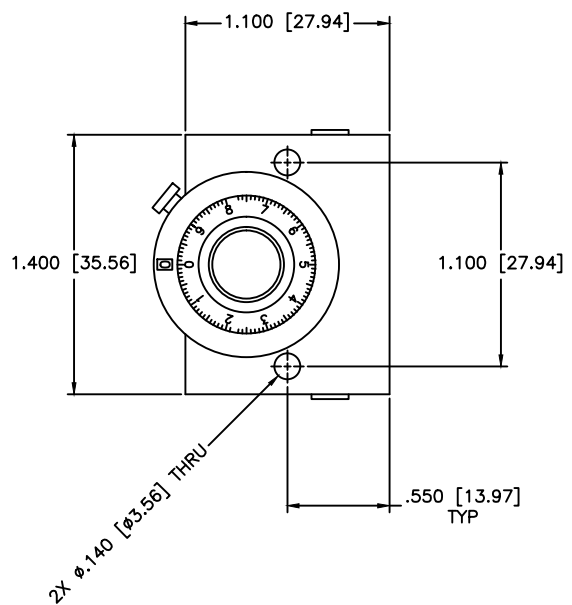
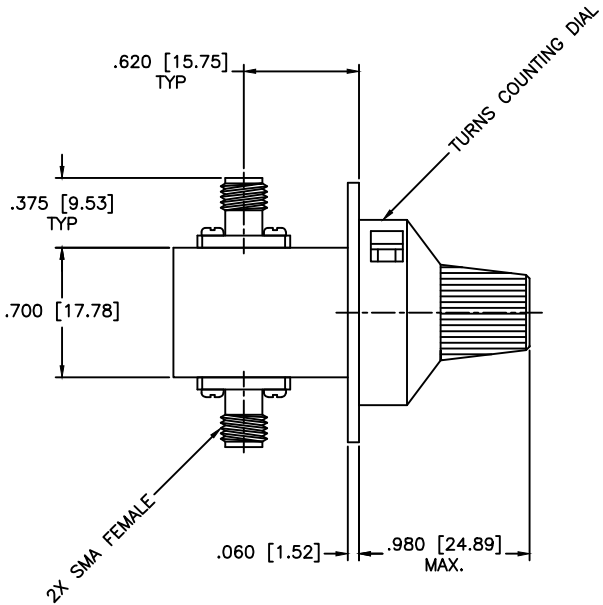


| REVISIONS | | | | |
|-----------|-----|-------------|------|----------|
| ZONE | REV | DESCRIPTION | DATE | APPROVED |



SPECIFICATIONS
 Frequency Range: DC–500 MHz
 Attenuation: 0 to 15dB
 Insertion Loss: 0.5dB Max.
 VSWR: 1.80:1 Max.
 RF Power: 0.5 Watt Avg.
 Temperature Range: –24°C to +70°C

Aluminum body, SS connectors
 Corrosion resistant 316 SS epoxy coating
 IAW MIL–F–14072

| | | | | | | |
|---|--|----------------------------|--|-------------------------------|------------------|-------------|
| MATERIAL: | | | MICROWAVE COMMUNICATIONS LABORATORIES INC. 7255 30TH AVE. N. SAINT PETERSBURG, FL 33710 TEL: (727) 344-6254 FAX: (727) 381-6116 http://WWW.MCLI.COM | | SCALE: | N/A |
| | | | | | SHEET: | N/A |
| UNLESS OTHERWISE SPECIFIED: TOLERANCES IN (INCHES) OR [mm] (MILLIMETERS) FRACTIONS: ± 1/64 DECIMALS: ±.01 ±.005 ANGLE: ±1/2° | | DRAWING TITLE: | | VARIABLE ATTENUATOR WITH DIAL | | |
| DRAWN: Paiboon Luekhamhan | | DATE: 06-10-2013 | | PART NO. CVA30-15/D | | |
| APPROVED: T. Nguyen | | DATE: 06-10-2013 | | CAGE CODE: | SIZE: A | REV: N/A |
| PROPRIETARY NOTICE: THE INFORMATION IN THIS DRAWING IS PROPRIETARY AND SHALL NOT BE USED OR DISCLOSED WITHOUT WRITTEN PERMISSION FROM MICROWAVE COMMUNICATIONS LABORATORIES INC. (MCLI) | | THIRD ANGLE PROJECTION | | OD2L5 | DWG NO. 86283 | |
| DO NOT SCALE THE DRAWING | | | | | | |