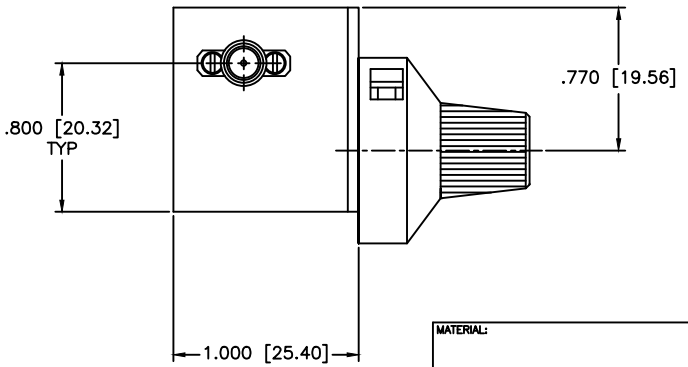
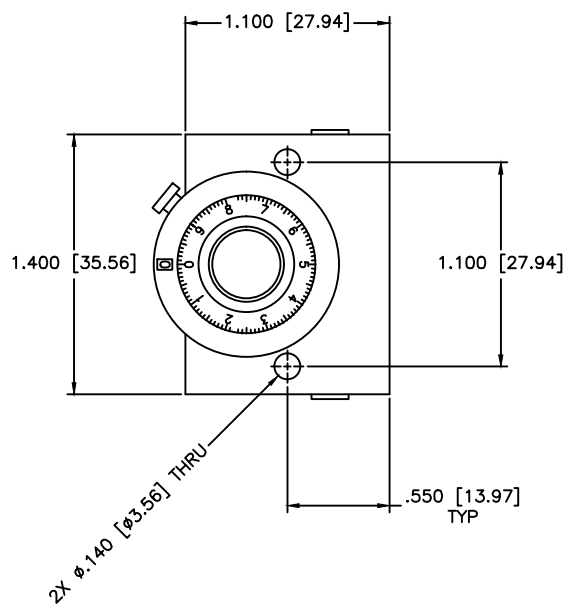
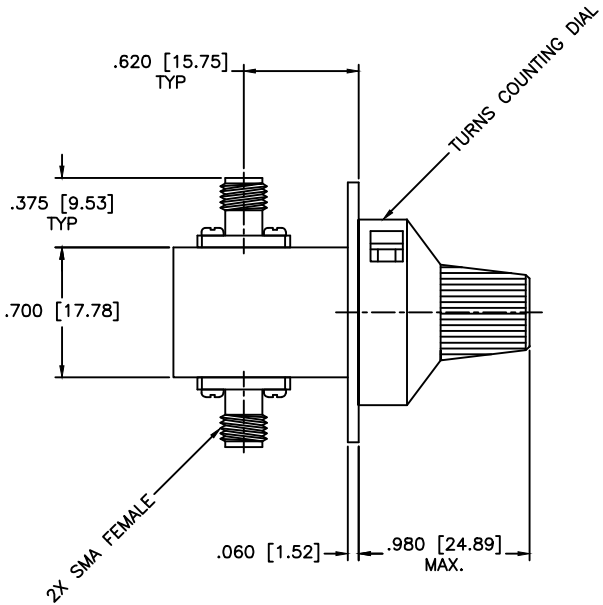


REVISIONS				
ZONE	REV	DESCRIPTION	DATE	APPROVED



**SPECIFICATIONS**  
 Frequency Range: DC–500 MHz  
 Attenuation: 0 to 15dB  
 Insertion Loss: 0.5dB Max.  
 VSWR: 1.80:1 Max.  
 RF Power: 0.5 Watt Avg.  
 Temperature Range: –24°C to +70°C

Aluminum body, SS connectors  
 Corrosion resistant 316 SS epoxy coating  
 IAW MIL-F-14072

MATERIAL:			MICROWAVE COMMUNICATIONS LABORATORIES INC. 7255 30TH AVE. N. SAINT PETERSBURG, FL 33710 TEL: (727) 344-6254 FAX: (727) 381-6116 http://WWW.MCLI.COM		SCALE:	N/A
					SHEET:	N/A
UNLESS OTHERWISE SPECIFIED: TOLERANCES IN (INCHES) OR [mm] (MILLIMETERS) FRACTIONS: ± 1/64 DECIMALS: ±.01 ±.005 ANGLE: ±1/2°		DRAWING TITLE:		VARIABLE ATTENUATOR WITH DIAL		
DRAWN: Paiboon Luekhamhan		DATE: 06-10-2013		PART NO. CVA30-15/D-R		
APPROVED: T. Nguyen		DATE: 06-10-2013		CAGE CODE: OD2L5	SIZE: A	REV: N/A
		PROPRIETARY NOTICE: THE INFORMATION IN THIS DRAWING IS PROPRIETARY AND SHALL NOT BE USED OR DISCLOSED WITHOUT WRITTEN PERMISSION FROM MICROWAVE COMMUNICATIONS LABORATORIES INC. (MCLI)		DWG NO. 86283		
		THIRD ANGLE PROJECTION 		DO NOT SCALE THE DRAWING		