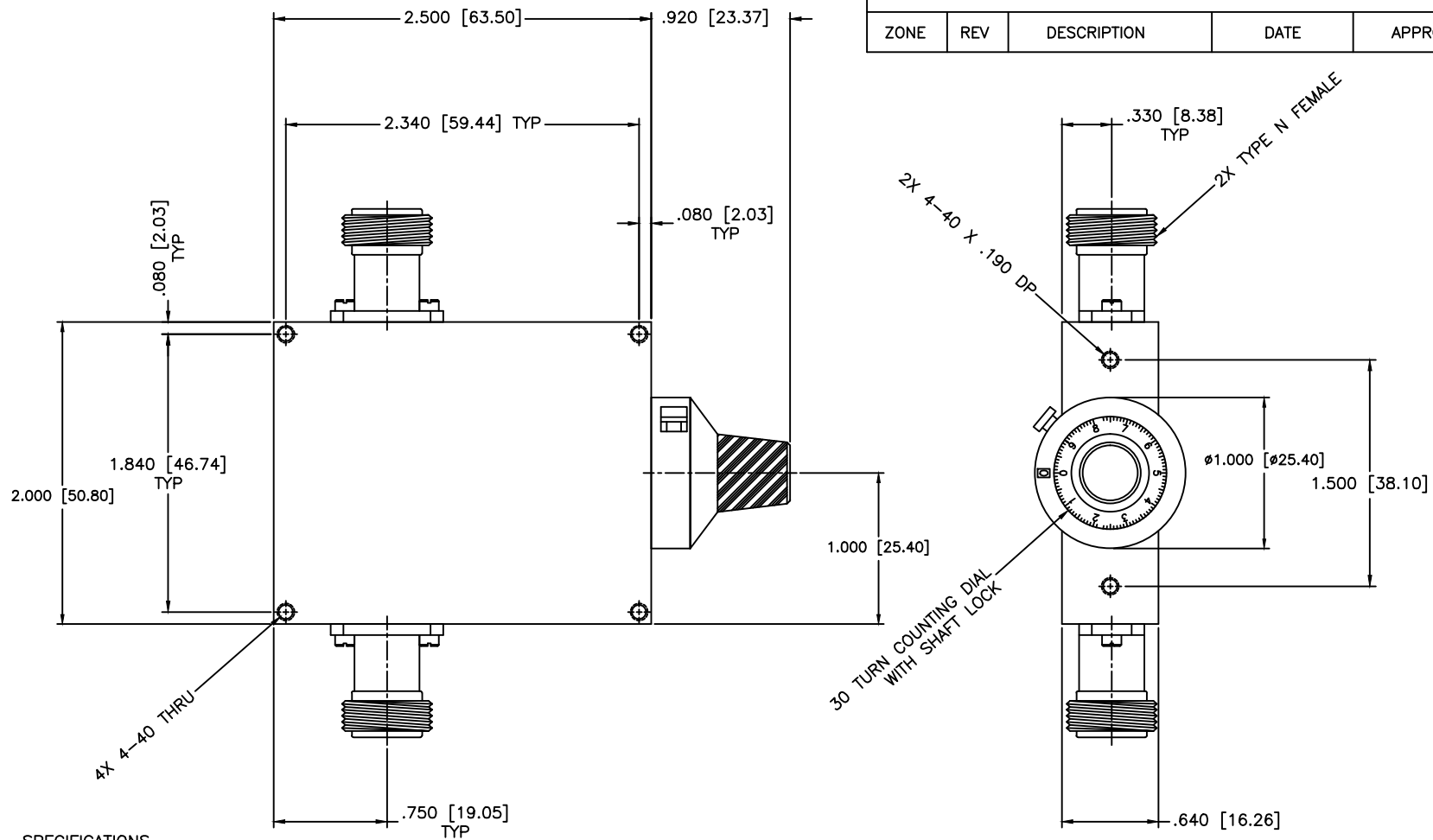


REVISIONS				
ZONE	REV	DESCRIPTION	DATE	APPROVED



SPECIFICATIONS

Frequency Range: 4–18 GHz
 Attenuation: 20dB
 Insertion Loss: 0.5 Max.
 VSWR: 1.50:1 Max.
 Power Handling: 7W Avg. 3kW Peak

ENVIRONMENTAL

Temperature Range: –55°C to +110°C
 Shock: 15 G's, 11mS, 1/2 sine
 Vibration: 3 G's overall
 Altitude: 40,000ft. Survival 25,000ft Operating

MATERIAL:	
DRAWN: Paiboon Luekhamhan	DATE: 02-08-2011
APPROVED: T. Nguyen	DATE: 02-08-2011

	MICROWAVE COMMUNICATIONS LABORATORIES INC. 7255 30TH AVE. N. SAINT PETERSBURG, FL 33710 TEL: (727) 344-6254 FAX: (727) 381-6116 http://WWW.MCLI.COM		SCALE: N/A
	UNLESS OTHERWISE SPECIFIED: TOLERANCES IN (INCHES) OR [mm] (MILLIMETERS) FRACTIONS: ± 1/64 DECIMALS: ±.01 ±.005 ANGLE: ±1/2°		SHEET: N/A
DRAWING TITLE: CONTINUOUSLY VARIABLE ATTENUATOR WITH DIAL		PART NO. CVA21-20/DNF	
CAGE CODE: OD2L5	SIZE: N/A	REV: N/A	DWG NO. 85424
DO NOT SCALE THE DRAWING			