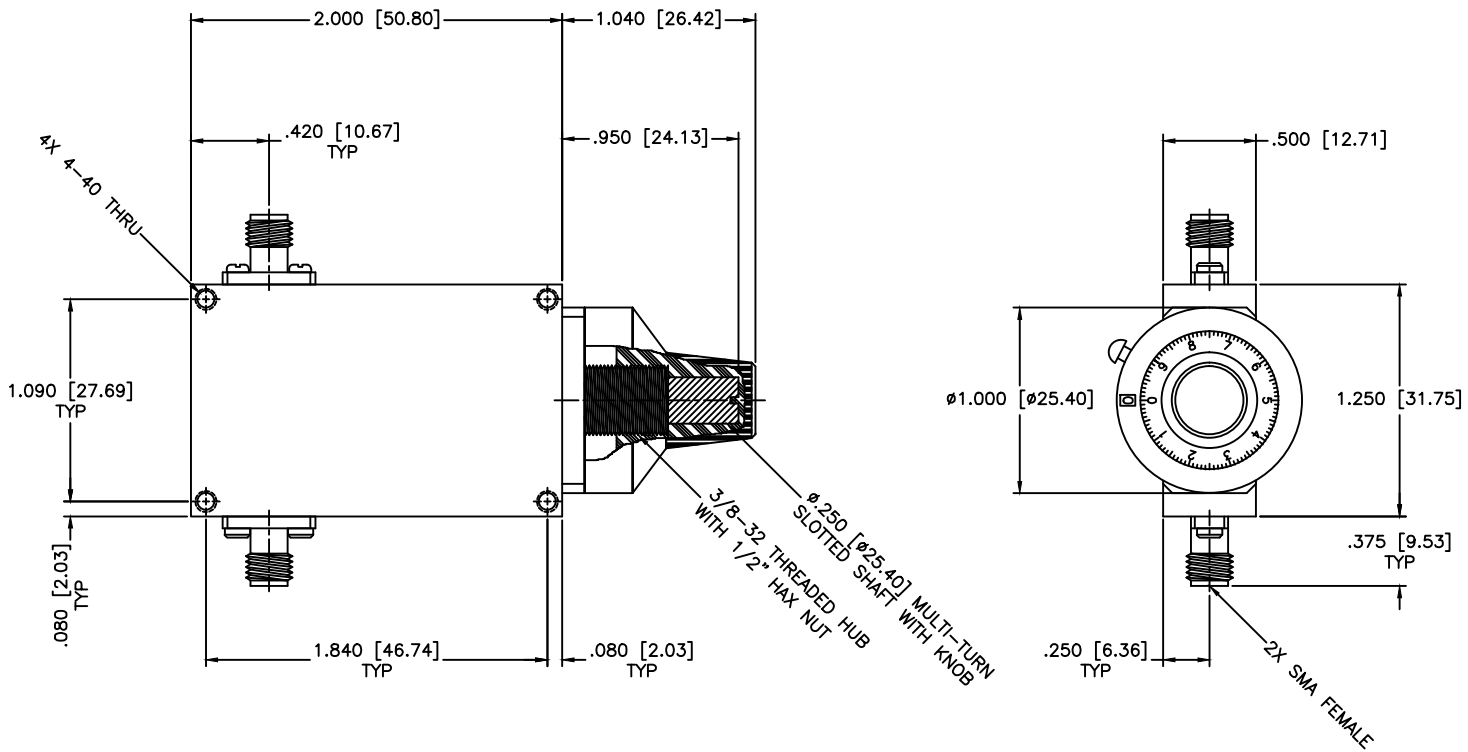


REVISIONS				
ZONE	REV	DESCRIPTION	DATE	APPROVED



**SPECIFICATIONS**

Frequency Range: 2-8 GHz  
 Attenuation: 20dB  
 Insertion Loss: 0.5dB Max.  
 VSWR: 1.50:1 Max.  
 RF Power: 7W Avg. 3kW Peak

**ENVIRONMENTAL**

Temperature Range: -55°C to +110°C  
 Shock: 15 G's, 11mS, 1/2 sine  
 Vibration: 3 G's overall  
 Altitude: 40,000ft. Survival 25,000ft Operating

MATERIAL:			MICROWAVE COMMUNICATIONS LABORATORIES INC. 7255 30TH AVE. N. SAINT PETERSBURG, FL 33710 TEL: (727) 344-6254 FAX: (727) 381-6116 http://WWW.MCLI.COM		SCALE:	N/A
			UNLESS OTHERWISE SPECIFIED: TOLERANCES IN (INCHES) OR [mm] (MILLIMETERS) FRACTIONS: ± 1/64 DECIMALS: ±.01 ±.005 ANGLE: ±1/2°		SHEET:	N/A
		DRAWING TITLE: <b>CONTINUOUSLY VARIABLE ATTENUATOR WITH DIAL</b>		PART NO.		
				CA18-20/D		
DRAWN:	DATE:	PROPRIETARY NOTICE: THE INFORMATION IN THIS DRAWING IS PROPRIETARY AND SHALL NOT BE USED OR DISCLOSED WITHOUT WRITTEN PERMISSION FROM MICROWAVE COMMUNICATIONS LABORATORIES INC. (MCLI)	CAGE CODE:	SIZE:	REV:	DWG NO.
APPROVED:	DATE:			OD2L5	A	N/A
				DO NOT SCALE THE DRAWING		