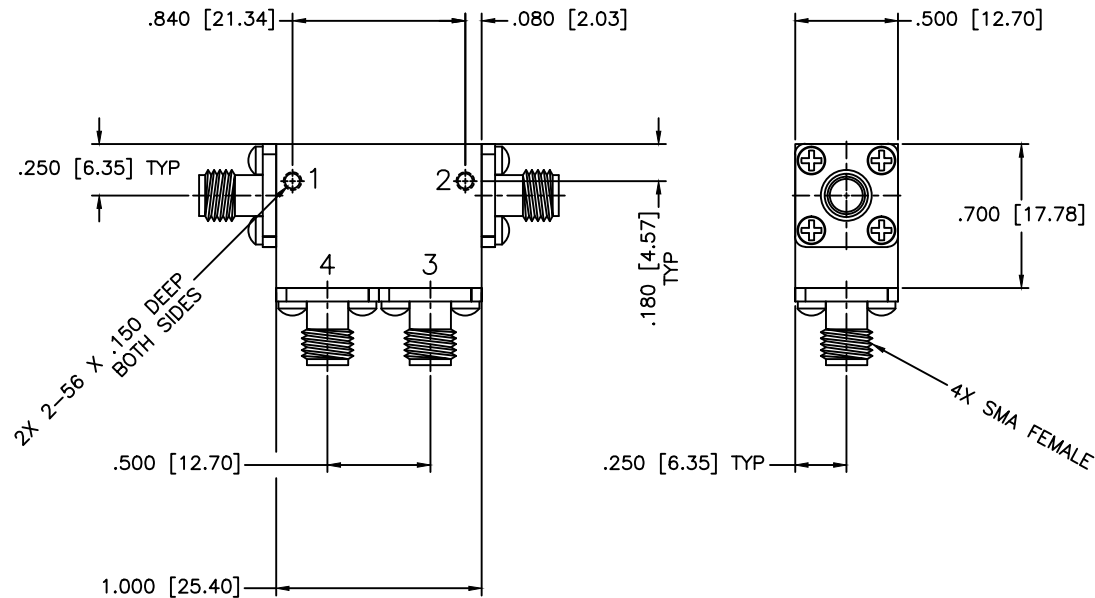


MODELS/SPECIFICATIONS						
MODEL NUMBER	FREQUENCY RANGE (GHz)	ISOLATION (dB)	INSERTION LOSS (dB) MIN. MAX.	VSWR (dB) MAX.	POWER (WATT) AVG	OPERATING TEMPERATURE RANGE (C°)
CSDJ-19	9.2-10.5	46	0.4	1.20	10	-20 to +65
CSDJ-20	10.7-11.7	46	0.4	1.20	10	-20 to +65
CSDJ-21	11.7-12.7	46	0.4	1.20	10	-20 to +65
CSDJ-22	12.0-18.0	40	1.0	1.25	5	-20 to +65
CSDJ-23	14.0-14.5	46	0.6	1.20	10	-20 to +65
CSDJ-24	17.0-20.0	44	0.8	1.20	5	-20 to +65
CSDJ-25	19.0-21.0	45	0.9	1.20	5	-20 to +65

REVISIONS				
ZONE	REV	DESCRIPTION	Date	APPROVED



MATERIAL:		MCLI MICROWAVE COMMUNICATIONS LABORATORIES INC. 7255 30TH AVE. N. SAINT PETERSBURG, FL 33710 TEL: (727) 344-6254 FAX: (727) 381-6116 http://WWW.MCLI.COM	SCALE: N/A
			SHEET: N/A
UNLESS OTHERWISE SPECIFIED: TOLERANCES IN (INCHES) OR [mm] (MILLIMETERS) FRACTIONS: ± 1/64 DECIMALS: ±.01 ±.005 ANGLE: ±1/2°		DRAWING TITLE: DUAL JUNCTION CIRCULATOR	
DRAWN: Paiboon Luekhamhan		PART NO.: CSDJ-19 to -25	
DATE: 04-07-2009		CAGE CODE: OD2L5	
APPROVED: T. Nguyen		SIZE: N/A	REV: N/A
DATE: 04-07-2009		DWG NO.: 84360	
PROPRIETARY NOTICE: THE INFORMATION IN THIS DRAWING IS PROPRIETARY AND SHALL NOT BE USED OR DISCLOSED WITHOUT WRITTEN PERMISSION FROM MICROWAVE COMMUNICATIONS LABORATORIES INC. (MCLI)		DO NOT SCALE THE DRAWING	
THIRD ANGLE PROJECTION 			