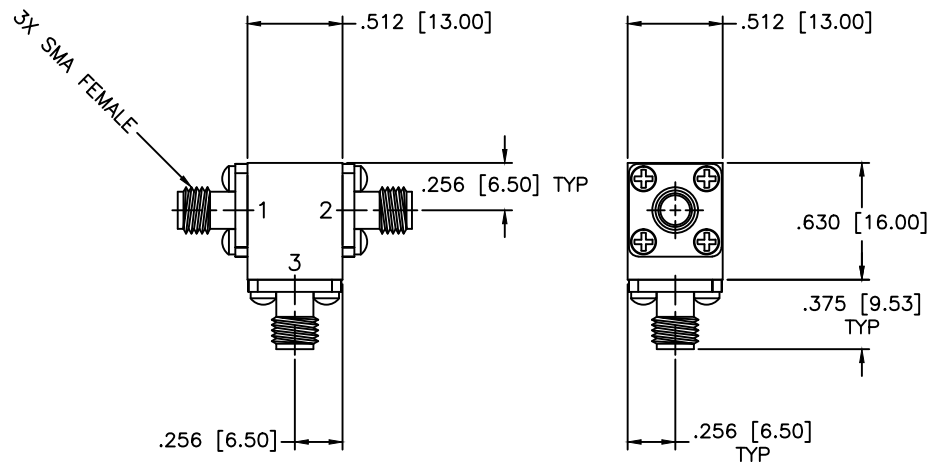


REVISIONS				
ZONE	REV	DESCRIPTION	Date	APPROVED



SPECIFICATIONS

Frequency Range: 20–22 GHz
 Isolation: 23dB Min.
 Insertion loss: 0.5dB Max.
 VSWR: 1.20:1 Max.
 Circulator Power: 25W Avg, 250W Peak.
 Operating Temperature: –54°C to +85°C

MATERIAL:		MCLI MICROWAVE COMMUNICATIONS LABORATORIES INC. 7255 30TH AVE. N. SAINT PETERSBURG, FL 33710 TEL: (727) 344-6254 FAX: (727) 381-6116 http://WWW.MCLI.COM	SCALE: N/A
			SHEET: N/A
<small>UNLESS OTHERWISE SPECIFIED: TOLERANCES IN (INCHES) OR [mm] (MILLIMETERS) FRACTIONS: ± 1/64 DECIMALS: ±.01 ±.005 ANGLE: ±1/2°</small>		DRAWING TITLE: COAXIAL CIRCULATOR	
<small>PROPRIETARY NOTICE: THE INFORMATION IN THIS DRAWING IS PROPRIETARY AND SHALL NOT BE USED OR DISCLOSED WITHOUT WRITTEN PERMISSION FROM MICROWAVE COMMUNICATIONS LABORATORIES INC. (MCLI)</small>		PART NO.: CS-93	
DRAWN: Paiboon Luekhamhan	DATE: 05-17-2010	CAGE CODE: OD2L5	SIZE: A REV: N/A DWG NO.: 84796
APPROVED: T. Nguyen	DATE: 05-17-2010	DO NOT SCALE THE DRAWING	