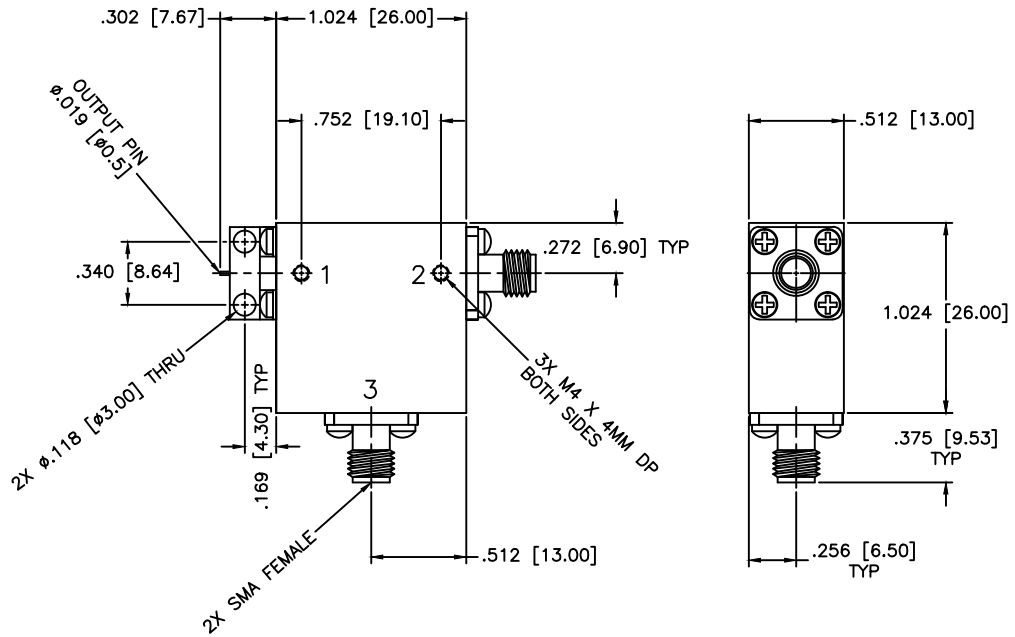


REVISIONS				
ZONE	REV	DESCRIPTION	Date	APPROVED



**SPECIFICATIONS**

Frequency Range: 2.85–3.30 GHz  
 Isolation: 20dB Min.  
 Insertion loss: 0.35dB Max.  
 VSWR: 1.25:1 Max.

MATERIAL:	
DRAWN: Paiboon Luekhamhan	DATE: 05-19-2010
APPROVED: T. Nguyen	DATE: 05-19-2010

**MCLI** MICROWAVE COMMUNICATIONS LABORATORIES INC.  
 7255 30TH AVE. N. SAINT PETERSBURG, FL 33710  
 TEL: (727) 344-6254 FAX: (727) 381-6116  
 http://www.MCLI.COM

UNLESS OTHERWISE SPECIFIED:  
 TOLERANCES  
 IN (INCHES) OR [mm] (MILLIMETERS)  
 FRACTIONS:  $\pm 1/64$   
 DECIMALS:  $\pm .01 \pm .005$   
 ANGLE:  $\pm 1/2^\circ$

PROPRIETARY NOTICE:  
 THE INFORMATION IN THIS DRAWING IS PROPRIETARY  
 AND SHALL NOT BE USED OR DISCLOSED WITHOUT WRITTEN  
 PERMISSION FROM MICROWAVE COMMUNICATIONS  
 LABORATORIES INC. (MCLI)

THIRD ANGLE PROJECTION

SCALE:	N/A
SHEET:	N/A
DRAWING TITLE: STRIPLINE OUTPUT CIRCULATOR	
PART NO. CS-78-P0	
CAGE CODE:	OD2L5
SIZE:	N/A
REV:	N/A
DWG NO.	84838
DO NOT SCALE THE DRAWING	