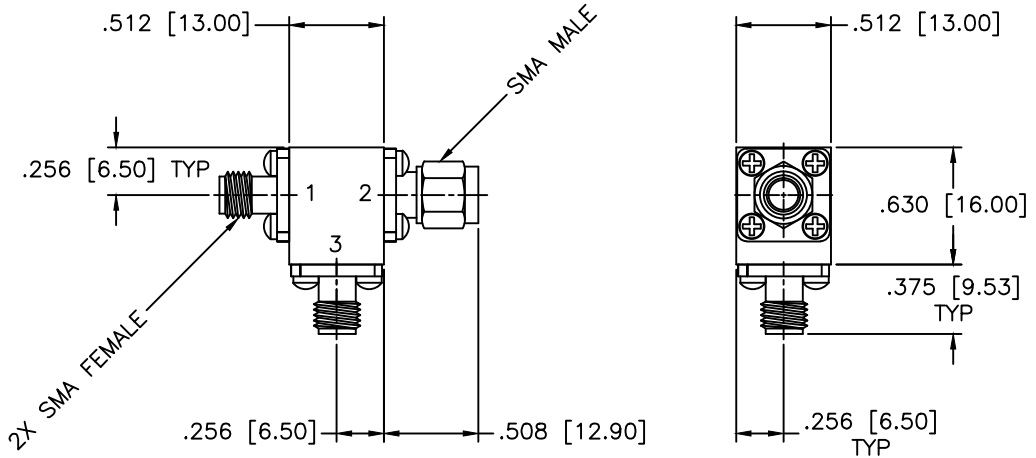


REVISIONS				
ZONE	REV	DESCRIPTION	DATE	APPROVED



**SPECIFICATIONS**

Frequency Range: 8–12.4 GHz  
 Isolation: 18dB Min.  
 Insertion loss: 0.40dB Max.  
 VSWR: 1.30:1 Max.  
 Operating Temperature: -20°C to +70°C  
 Power: 25W Avg, 250W Peak

MATERIAL:			MICROWAVE COMMUNICATIONS LABORATORIES INC. 7255 30TH AVE. N. SAINT PETERSBURG, FL 33710 TEL: (727) 344-6254 FAX: (727) 381-6116 http://WWW.MCLI.COM		SCALE:	N/A
			UNLESS OTHERWISE SPECIFIED: TOLERANCES IN (INCHES) OR [mm] (MILLIMETERS) FRACTIONS: ± 1/64 DECIMALS: ±.02 ±.010 ANGLE: ±1/2°		DRAWING TITLE:	COAXIAL CIRCULATOR
DRAWN:		DATE:		PART NO.		
Paiboon Luekhamhan		05-18-2010		CS-77/SMI/A		
APPROVED:		DATE:		CAGE CODE:	SIZE:	REV:
T. Nguyen		05-18-2010		OD2L5	A	N/A
		PROPRIETARY NOTICE: THE INFORMATION IN THIS DRAWING IS PROPRIETARY AND SHALL NOT BE USED OR DISCLOSED WITHOUT WRITTEN PERMISSION FROM MICROWAVE COMMUNICATIONS LABORATORIES INC. (MCLI)		DO NOT SCALE THE DRAWING		DWG NO.
		THIRD ANGLE PROJECTION 				84812