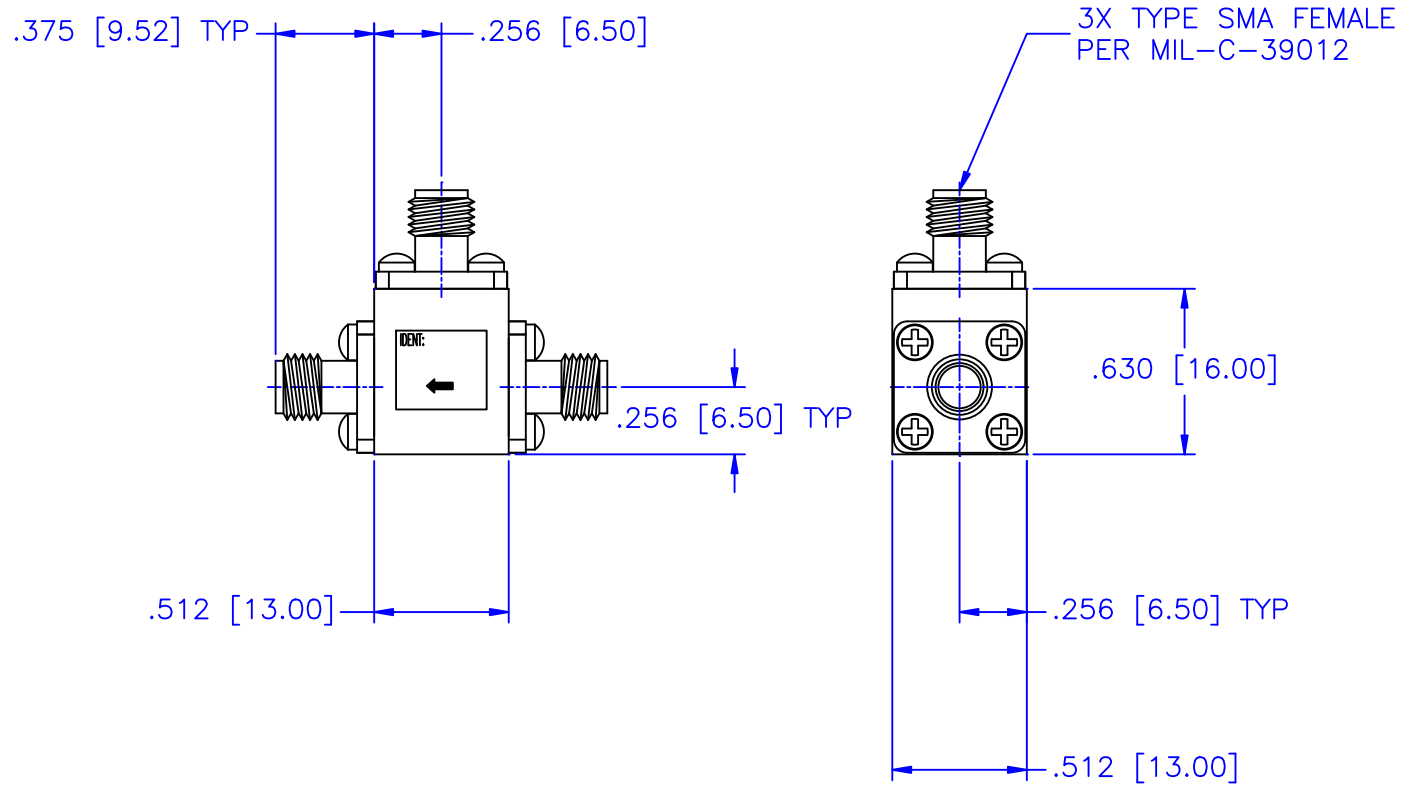


FREQUENCY RANGE (GHz)	25°C			-30°C TO +70°C			POWER RATING	
	ISOLATION (dB Min.)	INSERTION LOSS (dB Max.)	V.S.W.R. (Max.)	ISOLATION (dB Min.)	INSERTION LOSS (dB Max.)	V.S.W.R. (Max.)	FWD. POWER (W)	REV. POWER (W)
5.0 to 5.4	22	0.35	1.18	20	0.40	1.25	10	10

REVISIONS				
ZONE	REV	DESCRIPTION	Date	APPROVED



MATERIAL:		MICROWAVE COMMUNICATIONS LABORATORIES INC. 7255 30TH AVE. N. SAINT PETERSBURG, FL 33710 TEL: (727) 344-6254 FAX: (727) 381-6116 http://www.MCLI.COM	SCALE:	N/A
UNLESS OTHERWISE SPECIFIED: TOLERANCES IN (INCHES) OR [mm] (MILLIMETERS) FRACTIONS: $\pm 1/64$ DECIMALS: $\pm .01 \pm .005$ ANGLE: $\pm 1/2^\circ$			DRAWING TITLE:	COAXIAL CIRCULATOR
DRAWN:		PART NO.		CS-65
DATE:		GAGE CODE:		OD2L5
APPROVED:		SIZE:		N/A
DATE:		REV:		N/A
THIRD ANGLE PROJECTION		DWG NO.		83999
DRAWN: Paiboon Luekhamhan DATE: 03-25-2006 APPROVED: T. Nguyen DATE: 03-25-2006		PROPRIETARY NOTICE: THE INFORMATION IN THIS DRAWING IS PROPRIETARY AND SHALL NOT BE USED OR DISCLOSED WITHOUT WRITTEN PERMISSION FROM MICROWAVE COMMUNICATIONS LABORATORIES INC. (MCLI)		DO NOT SCALE THE DRAWING