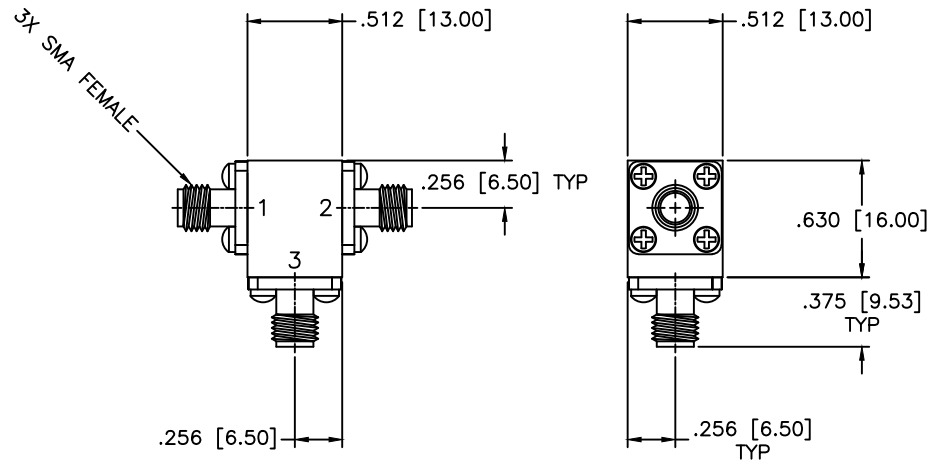


REVISIONS				
ZONE	REV	DESCRIPTION	Date	APPROVED



**SPECIFICATIONS**

Frequency Range: 7.8–8.2 GHz  
 Isolation: 23dB Min.  
 Insertion loss: 0.4dB Max.  
 VSWR: 1.15:1 Max.  
 Circulator Power: 25W Avg, 250W Peak.  
 Operating Temperature: -54°C to +85°C

MATERIAL:		<b>MCLI</b> MICROWAVE COMMUNICATIONS LABORATORIES INC. 7255 30TH AVE. N. SAINT PETERSBURG, FL 33710 TEL: (727) 344-6254 FAX: (727) 381-6116 <a href="http://WWW.MCLI.COM">http://WWW.MCLI.COM</a>	SCALE:	N/A
			SHEET:	N/A
UNLESS OTHERWISE SPECIFIED: TOLERANCES IN (INCHES) OR [mm] (MILLIMETERS) FRACTIONS: ± 1/64 DECIMALS: ±.01 ±.005 ANGLE: ±1/2°		DRAWING TITLE: <b>COAXIAL CIRCULATOR</b>		
DRAWN: Paiboon Luekhamhan		PART NO. <b>CS-63</b>		
DATE: 03-25-2006		CAGE CODE: OD2L5		
APPROVED: T. Nguyen		SIZE: A		
DATE: 03-25-2006		REV: N/A		
THIRD ANGLE PROJECTION		DWG NO. 82804		
		DO NOT SCALE THE DRAWING		