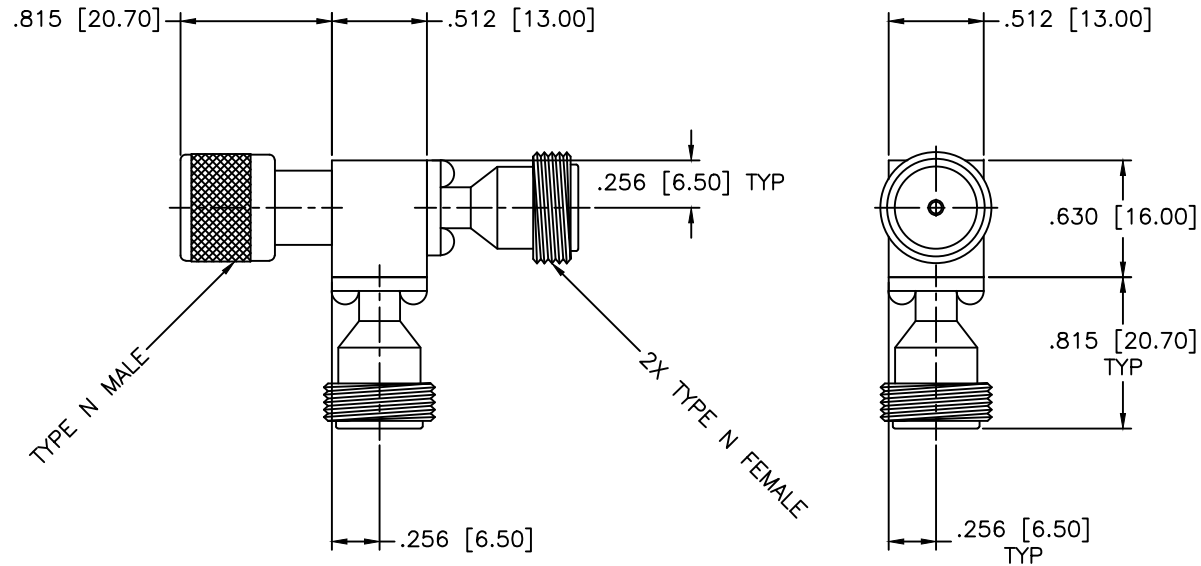


REVISIONS				
ZONE	REV	DESCRIPTION	Date	APPROVED



SPECIFICATIONS

Frequency Range: 10.95–12.75 GHz
 Isolation: 18dB Min.
 Insertion loss: 0.5dB Max.
 VSWR: 1.35:1 Max.
 Power: 50W Avg, 100W Peak
 Operating Temperature: -54°C to +85°C

MATERIAL:		MCLI MICROWAVE COMMUNICATIONS LABORATORIES INC. 7255 30TH AVE. N. SAINT PETERSBURG, FL 33710 TEL: (727) 344-6254 FAX: (727) 381-6116 http://WWW.MCLI.COM	SCALE: N/A
UNLESS OTHERWISE SPECIFIED: TOLERANCES IN (INCHES) OR (mm) (MILLIMETERS) FRACTIONS: ± 1/64 DECIMALS: ±.01 ±.005 ANGLE: ±1/2°			DRAWING TITLE: COAXIAL CIRCULATOR
DRAWN: Paiboon Luekhamhan		PART NO.: CS-63-2/NFI/NMO	
DATE: 05-18-2010		CAGE CODE: OD2L5	SIZE: N/A
APPROVED: T. Nguyen		DATE: 05-18-2010	REV: N/A
PROPRIETARY NOTICE: THE INFORMATION IN THIS DRAWING IS PROPRIETARY AND SHALL NOT BE USED OR DISCLOSED WITHOUT WRITTEN PERMISSION FROM MICROWAVE COMMUNICATIONS LABORATORIES INC. (MCLI)		DWG NO.: 84822	
THIRD ANGLE PROJECTION		DO NOT SCALE THE DRAWING	