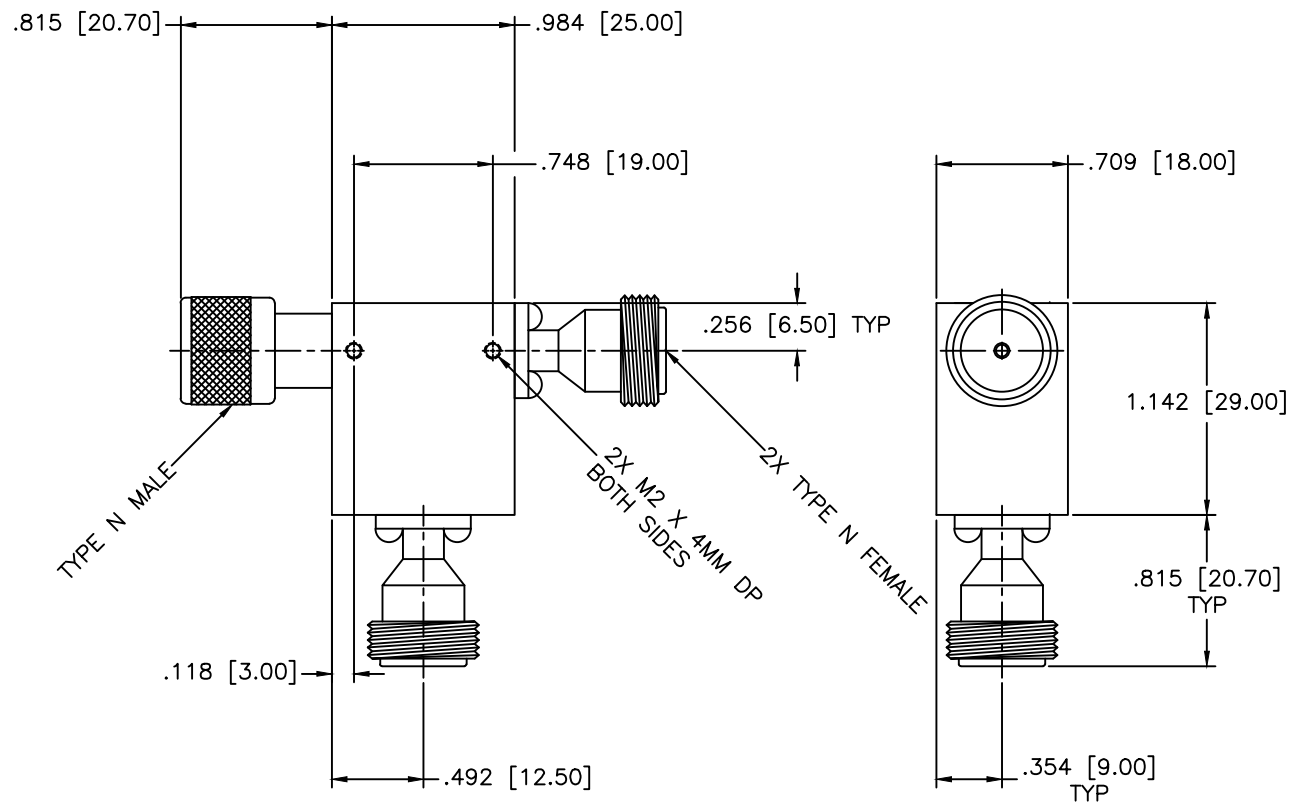


REVISIONS				
ZONE	REV	DESCRIPTION	Date	APPROVED



SPECIFICATIONS

Frequency Range: 3.4–4.8 GHz
 Isolation: 18dB Min.
 Insertion loss: 0.50dB Max.
 VSWR: 1.35:1 Max.
 Operating Temperature: -54°C to +85°C
 Power: 50W Avg, 100W Peak

MATERIAL:		MCLI MICROWAVE COMMUNICATIONS LABORATORIES INC. 7255 30TH AVE. N. SAINT PETERSBURG, FL 33710 TEL: (727) 344-6254 FAX: (727) 381-6116 http://WWW.MCLI.COM	SCALE:	N/A
			SHEET:	N/A
UNLESS OTHERWISE SPECIFIED: TOLERANCES IN (INCHES) OR (mm) (MILLIMETERS) FRACTIONS: ± 1/64 DECIMALS: ±.01 ±.005 ANGLE: ±1/2°		DRAWING TITLE: COAXIAL CIRCULATOR		
DRAWN: Paiboon Luekhamhan		PART NO.: CS-60-2/NFI/NMO		
DATE: 05-19-2010		CAGE CODE: OD2L5		
APPROVED: T. Nguyen		DATE: 05-19-2010		
THIRD ANGLE PROJECTION		SIZE: N/A	REV: N/A	DWG NO.: 84841
DO NOT SCALE THE DRAWING				