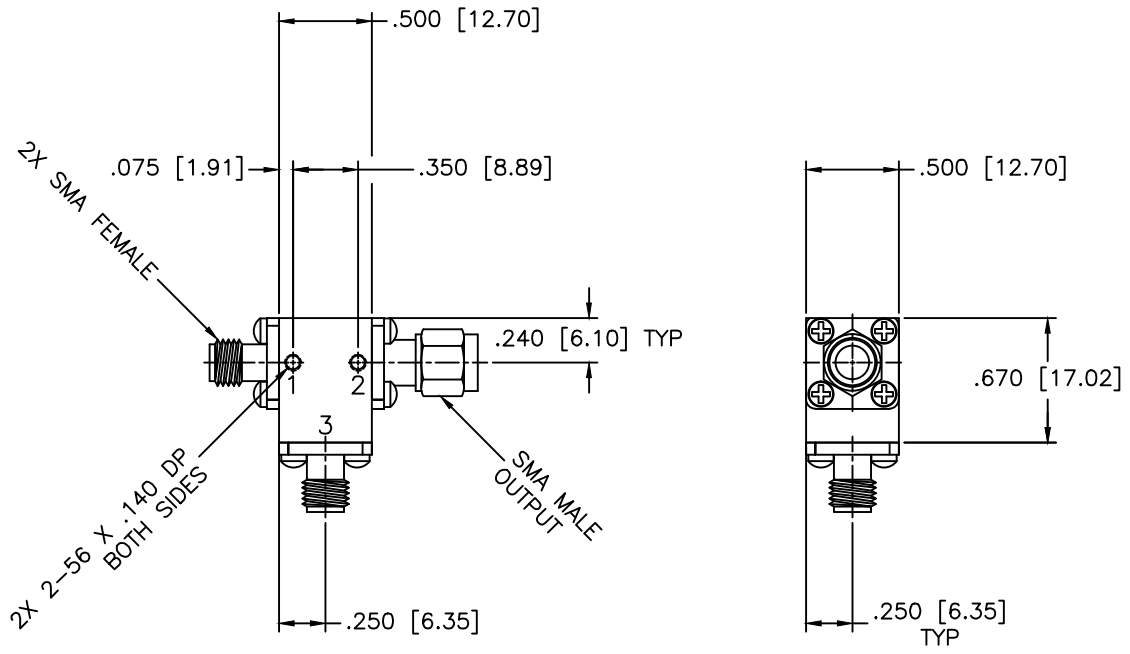


REVISIONS				
ZONE	REV	DESCRIPTION	DATE	APPROVED



SPECIFICATIONS

Frequency Range: 5.9–7.1 GHz
 Isolation: 20dB Min.
 Insertion loss: 0.30dB Max.
 VSWR: 1.22:1 Max.
 Operating Temperature: -10°C to +70°C

MATERIAL:			MICROWAVE COMMUNICATIONS LABORATORIES INC. 7255 30TH AVE. N. SAINT PETERSBURG, FL 33710 TEL: (727) 344-6254 FAX: (727) 381-6116 http://WWW.MCLI.COM		SCALE:	N/A
			UNLESS OTHERWISE SPECIFIED: TOLERANCES IN (INCHES) OR [mm] (MILLIMETERS) FRACTIONS: ± 1/64 DECIMALS: ±.02 ±.010 ANGLE: ±1/2°		DRAWING TITLE:	COAXIAL CIRCULATOR
DRAWN:		DATE:		PART NO.		
Paiboon Luekhamhan		06-30-2008		CS-5971-02		
APPROVED:		DATE:		CAGE CODE:	SIZE:	REV:
T. Nguyen		06-30-2008		OD2L5	A	A
		PROPRIETARY NOTICE: THE INFORMATION IN THIS DRAWING IS PROPRIETARY AND SHALL NOT BE USED OR DISCLOSED WITHOUT WRITTEN PERMISSION FROM MICROWAVE COMMUNICATIONS LABORATORIES INC. (MCLI)		DWG NO. 83843		
		THIRD ANGLE PROJECTION 		DO NOT SCALE THE DRAWING		