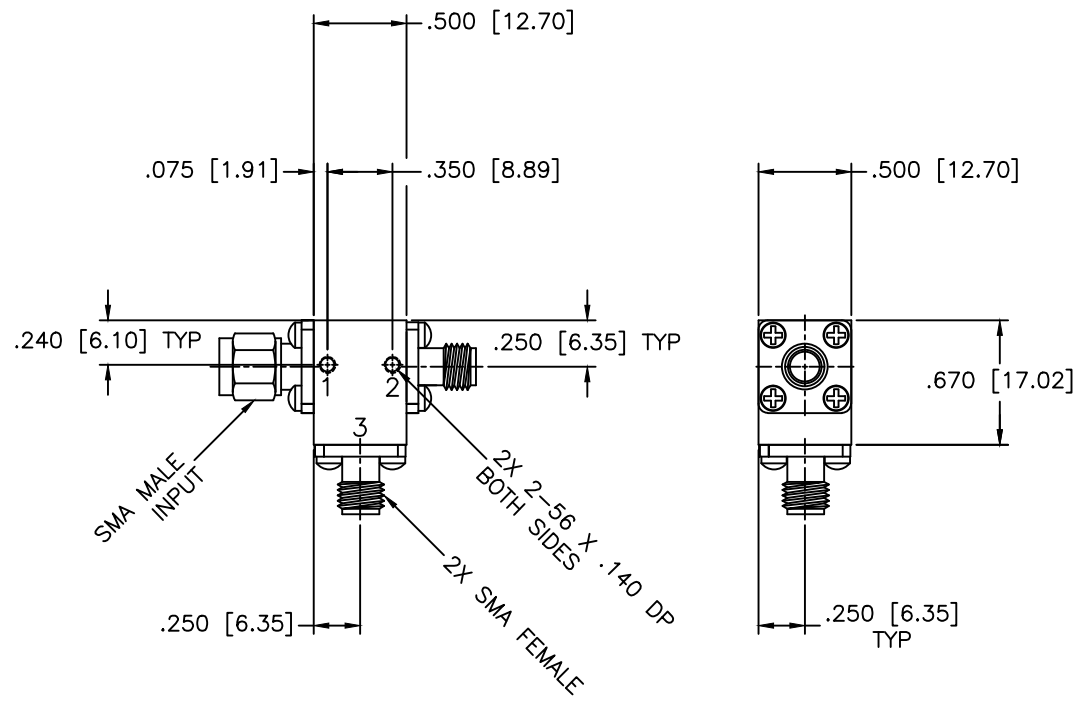


REVISIONS				
ZONE	REV	DESCRIPTION	DATE	APPROVED



SPECIFICATIONS

Frequency Range: 5.9–7.1 GHz
 Isolation: 20dB Min.
 Insertion loss: 0.30dB Max.
 VSWR: 1.22:1 Max.
 Operating Temperature: -10°C to +70°C
 Power: 50W Avg, 100W Peak

MATERIAL:	
DRAWN: Paiboon Luexhamhan	DATE: 06-30-2008
APPROVED: T. Nguyen	DATE: 06-30-2008

	MICROWAVE COMMUNICATIONS LABORATORIES INC. 7255 30TH AVE. N. SAINT PETERSBURG, FL 33710 TEL: (727) 344-6254 FAX: (727) 381-6116 http://WWW.MCLI.COM		SCALE: N/A
	UNLESS OTHERWISE SPECIFIED: TOLERANCES IN (INCHES) OR [mm] (MILLIMETERS) FRACTIONS: ± 1/64 DECIMALS: ±.02 ±.010 ANGLE: ±1/2°		SHEET: N/A
PROPRIETARY NOTICE: THE INFORMATION IN THIS DRAWING IS PROPRIETARY AND SHALL NOT BE USED OR DISCLOSED WITHOUT WRITTEN PERMISSION FROM MICROWAVE COMMUNICATIONS LABORATORIES INC. (MCLI)		DRAWING TITLE: COAXIAL CIRCULATOR	
PART NO. CS-5971-01		CAGE CODE: OD2L5	DWG NO. 84819
THIRD ANGLE PROJECTION 		SIZE: A	REV: A
DO NOT SCALE THE DRAWING			