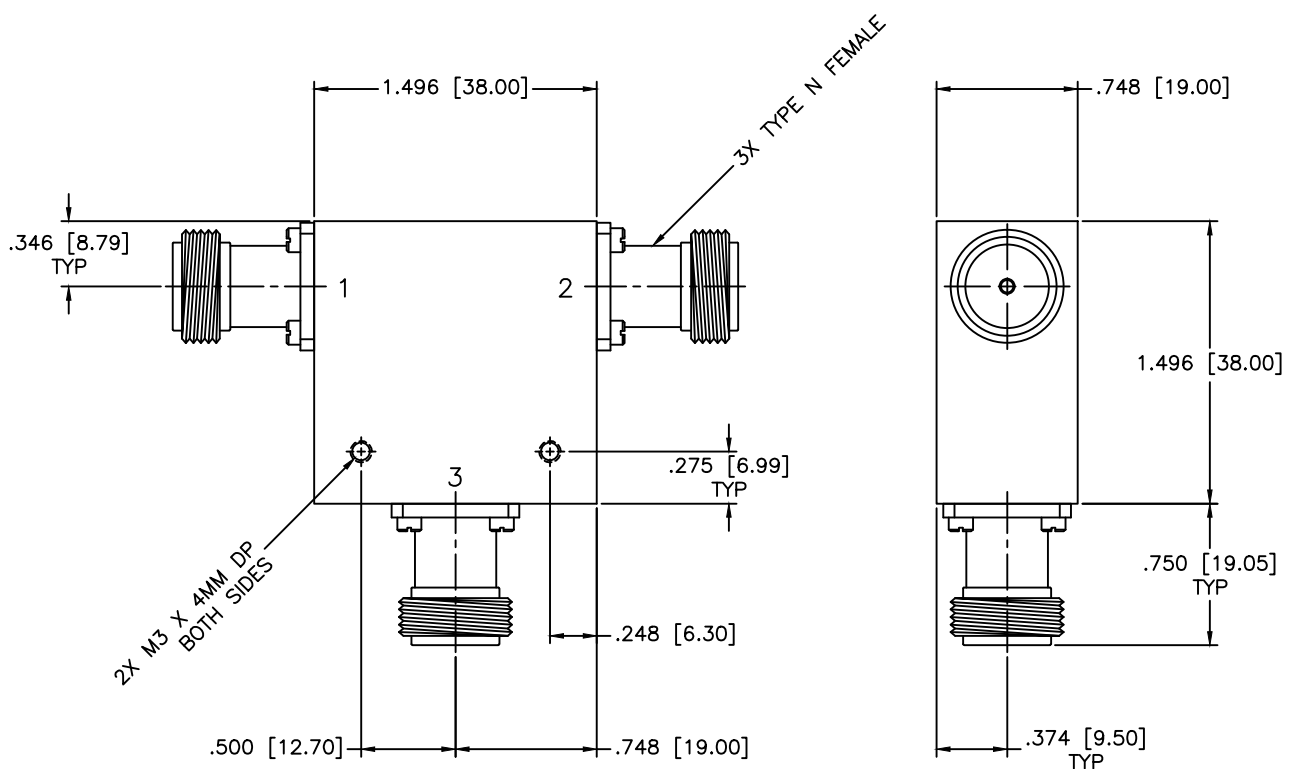


REVISIONS				
ZONE	REV	DESCRIPTION	Date	APPROVED



**SPECIFICATIONS**

Frequency Range: 695–705 MHz  
 Isolation: 20dB Min.  
 Insertion loss: 0.3dB Max.  
 VSWR: 1.20:1 Max.  
 Operating Temperature: -30°C to +70°C  
 Power: 50W Avg, 250W Peak

MATERIAL:		<b>MCLI</b> MICROWAVE COMMUNICATIONS LABORATORIES INC. 7255 30TH AVE. N. SAINT PETERSBURG, FL 33710 TEL: (727) 344-6254 FAX: (727) 381-6116 <a href="http://WWW.MCLI.COM">http://WWW.MCLI.COM</a>	SCALE: N/A
			SHEET: N/A
UNLESS OTHERWISE SPECIFIED: TOLERANCES IN (INCHES) OR [mm] (MILLIMETERS) FRACTIONS: ± 1/64 DECIMALS: ±.01 ±.005 ANGLE: ±1/2°		DRAWING TITLE: <b>COAXIAL CIRCULATOR</b>	
DRAWN: Paiboon Luekhamhan		PART NO.: CS-59-50	
DATE: 05-24-2010		CAGE CODE: OD2L5	
APPROVED: T. Nguyen		SIZE: N/A	REV: N/A
DATE: 05-24-2010		DWG NO.: 84849	
THIRD ANGLE PROJECTION		DO NOT SCALE THE DRAWING	