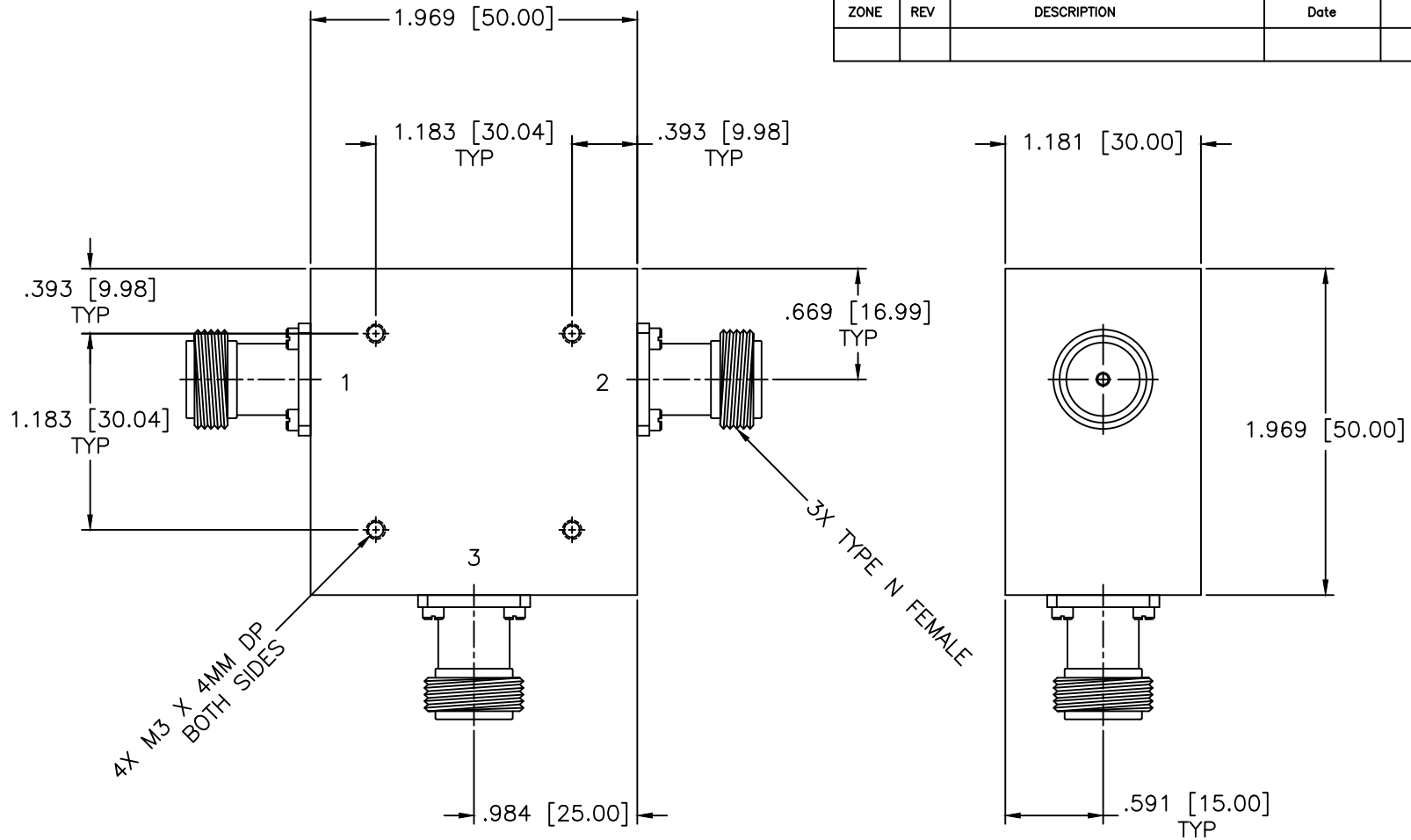


REVISIONS				
ZONE	REV	DESCRIPTION	Date	APPROVED



SPECIFICATIONS

Frequency Range: 345–355 MHz
 Isolation: 20dB Min.
 Insertion loss: 0.30dB Max.
 VSWR: 1.20:1 Max.
 Operating Temperature: -10°C to +60°C
 Power: 25W Avg, 250W Peak

MATERIAL:	
DRAWN: Paiboon Luekhamhan	DATE: 05-24-2010
APPROVED: T. Nguyen	DATE: 05-24-2010

	MICROWAVE COMMUNICATIONS LABORATORIES, INC. 7255 30TH AVE. N. SAINT PETERSBURG, FL 33710 TEL: (727) 344-6254 FAX: (727) 381-6116 http://WWW.MCLI.COM		SCALE:	N/A
	UNLESS OTHERWISE SPECIFIED: TOLERANCES IN (INCHES) OR [mm] (MILLIMETERS) FRACTIONS: ± 1/64 DECIMALS: ±.01 ±.005 ANGLE: ±1/2°		SHEET:	N/A
DRAWING TITLE: CIRCULATOR ISOLATOR		PART NO. CS-58-25		
CAGE CODE: OD2L5		SIZE: N/A	REV: N/A	DWG NO. 84850
DO NOT SCALE THE DRAWING				

PROPERTY NOTICE:
 THE INFORMATION IN THIS DRAWING IS PROPRIETARY
 AND SHALL NOT BE USED OR DISCLOSED WITHOUT WRITTEN
 PERMISSION FROM MICROWAVE COMMUNICATIONS
 LABORATORIES, INC. (MCLI)

THIRD ANGLE PROJECTION